

# 2MP Fixed IR Bullet Analog Camera

UAC-B112-AF28(40)



## Introduction

UAC-B112-AF28(40) is a 2MP fixed IR bullet analog camera with a high-performance 1/3-inch CMOS sensor and 3D noise reduction technology. It supports TVI/AHD/CVI/CVBS, which effectively enhances product adaptability and diversity of networking solutions. With SYV-75-3 or other coaxial cable types, the camera can achieve low-cost, long-distance, and anti-interference mega-pixel HD video transmission without time delay. It supports IR-cut filter with auto-switch (ICR) and provides color images at daytime and black/white images at night. The camera also supports audio input and synchronous transmission of audio and video.

## Features

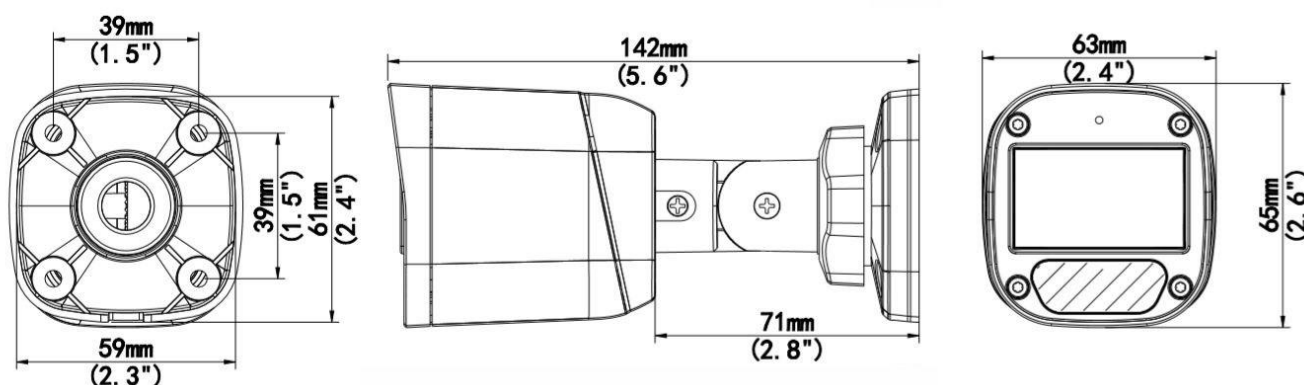
- 2MP high quality image
- TVI/AHD/CVI/CVBS
- Supports IR-cut filter with auto-switch (ICR)
- 3D noise reduction technology delivers clean and sharp images
- Supports 180° horizontal flip, 180° vertical flip
- OSD configuration menu, easy to operate
- IP67 waterproof and dustproof design, high reliability
- OSD configuration menu in 11 languages
- Built-in microphone for high quality audio transmission via coaxial cables

## Specifications

Model	UAC-B112-AF28	UAC-B112-AF40
<b>Sensor</b>		
Pixel	2MP	
Size	1/3"	
Minimum illumination	0.02 lux (F2.0, AGC ON) 0 lux (IR ON)	
<b>Lens</b>		
Lens	2.8mm	4.0mm
Lens mount	M12	
Angle of view	H: 90.5° V: 49.6° D: 109.5°	H: 80.2° V: 40.7° D: 90.5°
<b>Illuminator</b>		
Illuminator	One IR illuminator	
Illumination distance	20m	
Lifetime	≥60,000 hours	
<b>Video</b>		
Resolution	1080P: 1920(H)×1080(V) 720P: 1280(H) ×720(V)	
Frame rate	TVI/AHD/CVI: 1080P@25fps (default), 1080P@30fps; 720P@25fps, 720P@30fps CVBS: PAL, NTSC	
Shutter time	PAL: 1/25s-1/50000s NTSC: 1/30s-1/50000s	
<b>Image</b>		
Exposure mode	Four modes: Global (default), BLC, HLC, DWDR	
Day/Night	Three modes: Auto (default), Day, Night	
Digital noise reduction	2D/3D	
White balance	Two modes: Auto (default), Manual	
WDR	DWDR	
Smart IR	Support	
Flip	Supports 180° horizontal flip, 180° vertical flip	
Defog	N/A	
<b>Audio</b>		
Microphone	Built-in Mic	
Camera audio	TVI: 1080P@25fps, 1080P@30fps CVI: 1080P@25fps, 1080P@30fps	
<b>Interface</b>		
Power	5.5mm power interface	
Video output	BNC, supports TVI/AHD/CVI/CVBS	
<b>Operating environment</b>		
Temperature	-30°C to 60°C (-22°F to 140°F)	
Humidity	≤95% (RH, non-condensing)	
Surge protection	4kV	
<b>General</b>		
Power	DC 12V (±25%), with reverse polarity protection, Max 2.2W	

Mount	Surface mount (default), optional backbox, pole mount bracket
Dimensions	142mm*63mm*65mm (L*W*H)
Material	Plastic
Weight	135g(0.30lb)
OSD menu language	11 Languages English, German, Spanish(Latin America), French, Italian, Japanese, Korean, Polish, Portuguese(Brazil), Russian, Turkish
<b>Certification</b>	
EMC	CE-EMC (EN 55032,EN 61000-3-3,EN IEC 61000-3-2,EN 55035) FCC (FCC 47 CFR part15 B)
Safety	CE-LVD (EN 62368-1)
Environment	CE-RoHS (2011/65/EU;(EU)2015/863); WEEE (2012/19/EU)
Protection	IP67 (IEC 60529)

## Dimensions



UAC-B112-AF28(40)

## Accessories

TR-JB05-A-IN

Junction Box



TR-UP06-B-IN

Pole Mount



TR-UP06-C-IN

Pole Mount



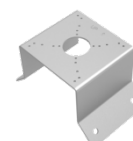
TR-A01-IN

Waterproof Joint



TR-UC08-C

Corner Mount



PWR-DC1201A-UK,  
PWR-DC1201B-UK

Wall Plug-in UK  
Power Adapter

PWR-DC1201A-US,  
PWR-DC1201B-US

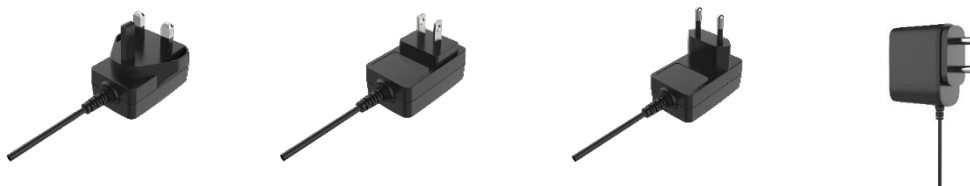
Wall Plug-in US  
Power Adapter

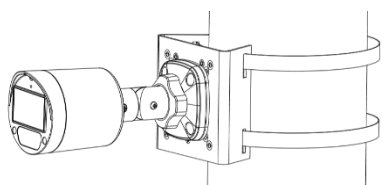
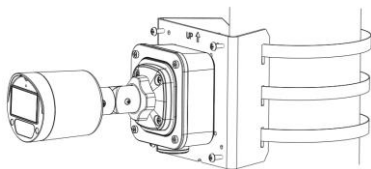
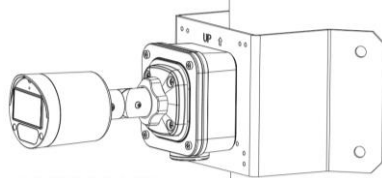
PWR-DC1201A-EU,  
PWR-DC1201B-EU

Wall Plug-in EU  
Power Adapter

PWR-DC1201A-IND

Wall Plug-in IND  
Power Adapter



Mount	
TR-UP06-B-IN	TR-JB05-A-IN+TR-UP06-C-IN
	
TR-JB05-A-IN+TR-UC08-C	
	

**Zhejiang Uniview Technologies Co., Ltd.**

Building No. 369, Xietong Road, Xixing Sub-district, Binjiang District, Hangzhou City, Zhejiang Province, China (310051)

Email: [overseasbusiness@uniview.com](mailto:overseasbusiness@uniview.com); [globalsupport@uniview.com](mailto:globalsupport@uniview.com)

<https://www.uniview.com>

©2023 Zhejiang Uniview Technologies Co., Ltd. All rights reserved.

\*Product specifications and availability are subject to change without notice.