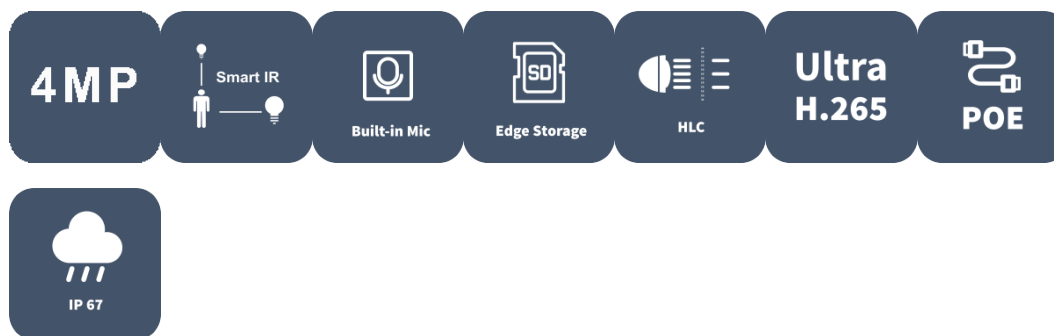


4MP Fixed IR Mini Bullet Network Camera

IPC2124LB-ASF28(40)K-A



Features

- High quality image with 4MP, 1/3.0"CMOS sensor
- 4MP (2560*1440)@25/20fps; 3MP (2304*1296)@30/25fps; 2MP (1920*1080)@30/25fps
- Ultra H.265,H.265, H.264
- Built-in Mic
- Smart IR, up to 30m (98ft) IR distance
- Day/night functionality
- 2D/3D DNR (Digital Noise Reduction)
- Supports Micro SD card
- IP67 protection
- DC12V or PoE(IEEE 802.3af) power supply
- 3-Axis

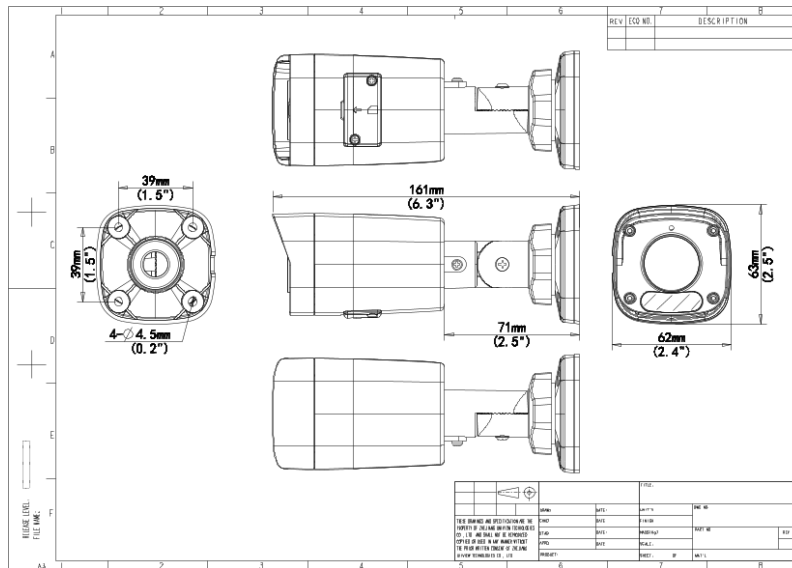
Specifications

| Camera | Description |
|---------------------------|--|
| Resolution | 4MP |
| Sensor | 1/3.0"CMOS |
| Min. Illumination | Colour: 0.01 lux (F2.1, AGC ON) 0 lux with IR on |
| Day/Night | IR-cut filter with auto switch (ICR) |
| Shutter | Auto/Manual, 1 ~ 1/100000s |
| Adjustment angle | Pan: 0° ~ 360° , Tilt: 0° ~ 90° , Rotate: 0° ~ 360° |
| S/N | >52dB |
| WDR | DWDR |
| Lens | Description |
| Lens type | IPC2124LB-ASF28K-A:2.8mm IPC2124LB-ASF40K-A:4.0mm |
| Iris Type | Fixed |
| Iris | F2.1 |
| Field of View (H) | IPC2124LB-ASF28K-A:97.0° IPC2124LB-ASF40K-A:79.0° |
| Field of View (V) | IPC2124LB-ASF28K-A:52.2° IPC2124LB-ASF40K-A:42.3° |
| Field of View (D) | IPC2124LB-ASF28K-A:107.5° IPC2124LB-ASF40K-A:85.1° |
| DORI | Description |
| DORI Distance (Lens) | IPC2124LB-ASF28K-A:2.8mm IPC2124LB-ASF40K-A:4.0mm |
| DORI Distance (Detect) | IPC2124LB-ASF28K-A:63.0m(206.7ft) IPC2124LB-ASF40K-A:90.0m(295.3ft) |
| DORI Distance (Observe) | IPC2124LB-ASF28K-A:25.2m(82.7ft) IPC2124LB-ASF40K-A:36.0m(118.1ft) |
| DORI Distance (Recognize) | IPC2124LB-ASF28K-A:12.6m(41.3ft) IPC2124LB-ASF40K-A:18.0m(59.1ft) |
| DORI Distance (Identify) | IPC2124LB-ASF28K-A:6.3m(20.7ft) IPC2124LB-ASF40K-A:9.0m(29.5ft) |
| Illuminator | Description |
| Illumination Distance(IR) | 30m |
| Wavelength | 850nm |
| IR On/Off Control | Auto/Manual |
| Video | Description |
| Video Compression | Ultra 265; H.265; H.264 |
| H.264 code profile | Baseline profile, Main profile, High profile |

| | |
|-------------------------|--|
| Frame Rate | Main Stream: 4MP (2560*1440), Max 25fps; 3MP(2304*1296), Max 25fps;2MP(1920*1080),Max 30fps Sub Stream: D1 (720*576), Max 30fps; 640*360,Max 30fps; 2CIF(704*288), Max 30fps; CIF(352*288), Max 30fps |
| Video Bit Rate | 128 Kbps~6144 Kbps |
| U-code | Support (Main stream) |
| OSD | Up to 4 OSDs |
| Privacy Mask | Up to 4 areas |
| ROI | Up to 8 areas |
| Video stream | Dual streams |
| Image | Description |
| White Balance | Auto;Outdoor;Fine Tune;Sodium Lamp;Locked;Auto2 |
| Digital noise reduction | 2D/3D DNR |
| Smart IR | Support |
| Flip | Normal;Flip Vertical;Flip Horizontal;180° |
| Dewarping | N/A |
| HLC | Support |
| BLC | Support |
| Defog | Digital Defog |
| Events | Description |
| Basic Detection | Motion detection;Tampering alarm;Audio detection |
| General Function | Watermark;IP Address Filtering;Access Policy;ARP Protection;RTSP Authentication;User Authentication;HTTP authentication |
| Audio | Description |
| Audio Compression | G.711U;G.711A |
| Audio Bitrate | 64 Kbps |
| Two-way Audio | N/A |
| Suppression | Support |
| Sampling Rate | 8KHZ |
| Storage | Description |
| Edge Storage | Micro SD, up to 128 GB |
| Network | Description |
| Protocols | IPv4;IGMP;ICMP;ARP;TCP;UDP;DHCP;RTP;RTSP;RTCP;RTMP;DNS;DDNS;NTP;FTP; UPnP;HTTP;HTTPS;QoS;SSL/TLS;SMTP;SNMP |
| Compatible Integration | ONVIF (Profile S, Profile T);API;SDK |
| User/Host | Up to 32 users. 3 user levels: administrator, common user and operator |
| Security | Password protection;Strong password;HTTPS encryption;Export operation logs;Basic and digest authentication for RTSP;Digest authentication for HTTP;WSSE and digest authentication for ONVIF |
| Client | EZStation;EZView; EZLive |
| Web Browser | Plug-in required live view: IE 10 and above, Chrome 45 and above, Firefox 52 and above, Edge 79 and above;Plug-in free live view: Chrome 57.0 and above, Firefox 58.0 and above, Edge 16 and above |

| Interface | Description |
|---------------------|--|
| Audio I/O | N/A |
| Alarm I/O | N/A |
| Serial Port | N/A |
| Built-in Mic | Support |
| Built-in Speaker | N/A |
| WIFI | N/A |
| Network | 1 * RJ45 10M/100M Base-TX Ethernet |
| Video Output | N/A |
| Certification | Description |
| EMC | CE-EMC (EN 55032, EN 61000-3-3, EN IEC 61000-3-2, EN 55035) FCC (FCC 47 CFR part15 B) |
| Safety | CE LVD (EN 62368-1) UL/CUL (UL 62368-1, CAN/CSA C22.2 No. 62368-1) |
| Environment | CE-RoHS (2011/65/EU;(EU)2015/863); WEEE (2012/19/EU); |
| Protection | IP67 (IEC 60529) |
| General | Description |
| Power | DC 12V ±25%, PoE (IEEE 802.3af) Power consumption: Max 5.0W |
| Power Interface | Ø 5.5mm coaxial power plug |
| Dimensions | 161 × 63 × 62mm (6.4" × 2.5" × 2.4") |
| Weight | 0.36kg(0.79lb) |
| Material | Graphene + Plastic |
| Working Environment | -30° C ~ 60° C (-22° F ~ 140° F), Humidity: ≤95% RH (non-condensing) |
| Storage Environment | -30° C ~ 60° C (-22° F ~ 140° F), Humidity: ≤95% RH (non-condensing) |
| Surge protection | 4KV |
| Reset button | N/A |
| Web Client Language | 1 Language English |

Dimensions



Accessories

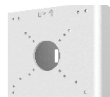
TR-JB05-A-IN

Small Bullet Junction Box(Support wiring from behind,Square)



TR-UP06-C-IN

Pole Mounting Bracket for Bullet Junction Box Only



TR-UP06-B-IN

Bullet Pole Mounting Bracket

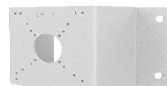


TR-A01-IN

NPT 3/4" Waterproof Cable Gland

TR-UC08-C

Bullet&Dome Corner Mounting Bracket



Zhejiang Uniview Technologies Co., Ltd.

No. 369, Xietong Road, Xixing Sub-district, Binjiang District, Hangzhou City, 310051, Zhejiang Province, China

Email: overseasbusiness@uniview.com; globalsupport@uniview.com

<http://www.uniview.com>

©2023-2024 Zhejiang Uniview Technologies Co., Ltd. All rights reserved.

*Product specifications and availability are subject to change without notice.

*Despite our best efforts, technical or typographical errors may exist in this document. Uniview cannot be held responsible for any such errors and reserves the right to change the contents of this document without prior notice.