

2MP HD IR Fixed Mini Bullet Network Camera

IPC2122LB-ASF28(40)K-A



Features

- High quality image with 2MP, 1/2.9"CMOS sensor
- 2MP (1920*1080)@30/25fps; 720P (1280*720)@30/25fps
- Ultra H.265,H.265, H.264
- Built-in Mic
- Smart IR, up to 30m (98ft) IR distance
- Day/night functionality
- 2D/3D DNR (Digital Noise Reduction)
- Supports Micro SD card
- DC12V or PoE(IEEE 802.3af) power supply
- IP67 protection
- 3-Axis

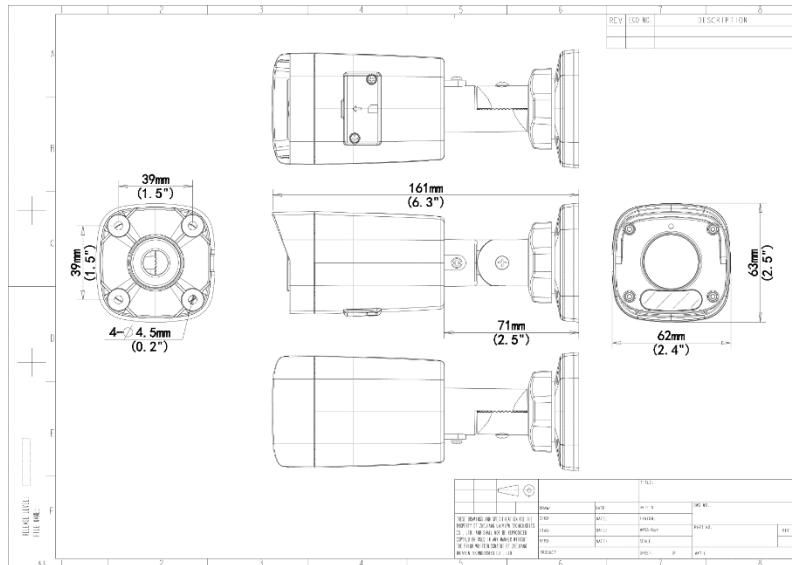
Specifications

Camera	Description
Resolution	2MP
Sensor	1/2.9"CMOS
Min. Illumination	Colour:0.01 lux (F2.0, AGC ON) 0 lux with IR on
Day/Night	IR-cut filter with auto switch (ICR)
Shutter	Auto/Manual, 1 ~ 1/100000s
Adjustment angle	Pan: 0° ~ 360° , Tilt: 0° ~ 90° , Rotate: 0° ~ 360°
S/N	>52dB
WDR	DWDR
Lens	Description
Lens type	IPC2122LB-ASF28K-A:2.8mm IPC2122LB-ASF40K-A:4.0mm
Iris Type	Fixed
Iris	F2.0
Field of View (H)	IPC2122LB-ASF28K-A:101.1° IPC2122LB-ASF40K-A:83.7°
Field of View (V)	IPC2122LB-ASF28K-A:55.0° IPC2122LB-ASF40K-A:44.6°
Field of View (D)	IPC2122LB-ASF28K-A:111.0° IPC2122LB-ASF40K-A:89.1°
DORI	Description
DORI Distance (Lens)	IPC2122LB-ASF28K-A:2.8mm IPC2122LB-ASF40K-A:4.0mm
DORI Distance (Detect)	IPC2122LB-ASF28K-A:45.0m(147.6ft) IPC2122LB-ASF40K-A:64.3m(210.9ft)
DORI Distance (Observe)	IPC2122LB-ASF28K-A:18.0m(59.1ft) IPC2122LB-ASF40K-A:25.7m(84.4ft)
DORI Distance (Recognize)	IPC2122LB-ASF28K-A:9.0m(29.5ft) IPC2122LB-ASF40K-A:12.9m(42.2ft)
DORI Distance (Identify)	IPC2122LB-ASF28K-A:4.5m(14.8ft) IPC2122LB-ASF40K-A:6.4m(21.1ft)
Illuminator	Description
IR Range	Up to 30m (98ft)
Wavelength	850nm
IR On/Off Control	Auto/Manual
Video	Description
Video Compression	Ultra 265; H.265; H.264
H.264 code profile	Baseline profile, Main profile, High profile

Frame Rate	Main Stream: 2MP (1920*1080),Max 30fps; 720P (1280*720),Max 30fps Sub Stream: D1 (720*576), Max 30fps; 640*360,Max 30fps; 2CIF(704*288), Max 30fps; C IF(352*288), Max 30fps
Video Bit Rate	128 Kbps~6144 Kbps
U-code	Support (Main stream)
OSD	Up to 4 OSDs
Privacy Mask	Up to 4 areas
ROI	Up to 8 areas
Video stream	Dual streams
Image	Description
White Balance	Auto/Outdoor/Fine Tune/Sodium Lamp/Locked/Auto2
Digital noise reduction	2D/3D DNR
Smart IR	Support
Flip	Normal/Vertical/Horizontal/180°
Dewarping	N/A
HLC	Support
BLC	Support
Defog	Digital Defog
Events	Description
Basic Detection	Motion detection;Audio detection
General Function	Watermark;IP Address Filtering;Access Policy;ARP Protection;RTSP Authentication;User Authentication;HTTP authentication
Audio	Description
Audio Compression	G.711U, G.711A
Audio Bitrate	64 Kbps
Two-way Audio	N/A
Suppression	Support
Sampling Rate	8KHZ
Storage	Description
Edge Storage	Micro SD, up to 128 GB
Network	Description
Protocols	IPv4;IGMP;ICMP;ARP;TCP;UDP;DHCP;RTP;RTSP;RTCP;RTMP;DNS;DDNS;NTP;UPnP ;HTTP;HTTPS;QoS;SSL/TLS
Compatible Integration	ONVIF (Profile S, Profile T, Profile G),API,SDK
User/Host	Up to 32 users, 2 user levels: administrator and common user
Security	Password protection;Strong password;HTTPS encryption;Export operation logs;Basic and digest authentication for RTSP;Digest authentication for HTTP;WSSE and digest authenti cation for ONVIF
Client	EZStation;EZView; EZLive
Web Browser	Plug- in required live view: IE 10 and above, Chrome 45 and above, Firefox 52 and above, Edg e 79 and above;Plug- in free live view: Chorme 57.0 and above, Firefox 58.0 and above, Edge 16 and above

Interface	Description
Audio I/O	N/A
Alarm I/O	N/A
Serial Port	N/A
Built-in Mic	Support
Built-in Speaker	N/A
WIFI	N/A
Network	1 * RJ45 10M/100M Base-TX Ethernet
Video Output	N/A
Certification	Description
EMC	CE-EMC (EN 55032,EN 61000-3-3,EN IEC 61000-3-2,EN 55035) FCC (FCC 47 CFR part15 B)
Safety	CE LVD (EN 62368-1) CB (IEC 62368-1)
Environment	CE-RoHS (2011/65/EU;(EU)2015/863); WEEE (2012/19/EU);
Protection	IP67 (IEC 60529)
General	Description
Power	DC 12V±25%, PoE (IEEE 802.3af) Power consumption: Max 5.0W
Power Interface	Ø 5.5mm coaxial power plug
Dimensions (L x W x H)	161 × 62 × 63mm (6.3" × 2.5" × 2.5")
Weight	0.21kg(0.46lb)
Material	Graphene + Plastic
Working Environment	-30° C ~ 60° C (-22° F ~ 140° F), Humidity: ≤95% RH (non-condensing)
Storage Environment	-30° C ~ 60° C (-22° F ~ 140° F), Humidity: ≤95% RH (non-condensing)
Surge protection	4KV
Reset button	N/A
Web Client Language	1 Language English

Dimensions



Zhejiang Uniview Technologies Co., Ltd.

No. 369, Xietong Road, Xixing Sub-district, Binjiang District, Hangzhou City, 310051, Zhejiang Province, China

Email: overseasbusiness@uniview.com; globalsupport@uniview.com

<http://www.uniview.com>

©2023 Zhejiang Uniview Technologies Co., Ltd. All rights reserved.

*Product specifications and availability are subject to change without notice.