

Smart Interactive Display Mobile Stand

HB-8765-S

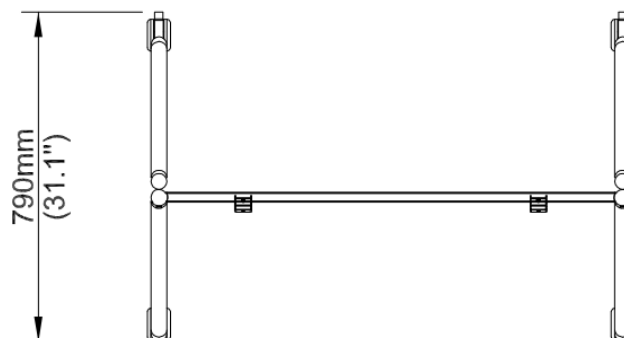
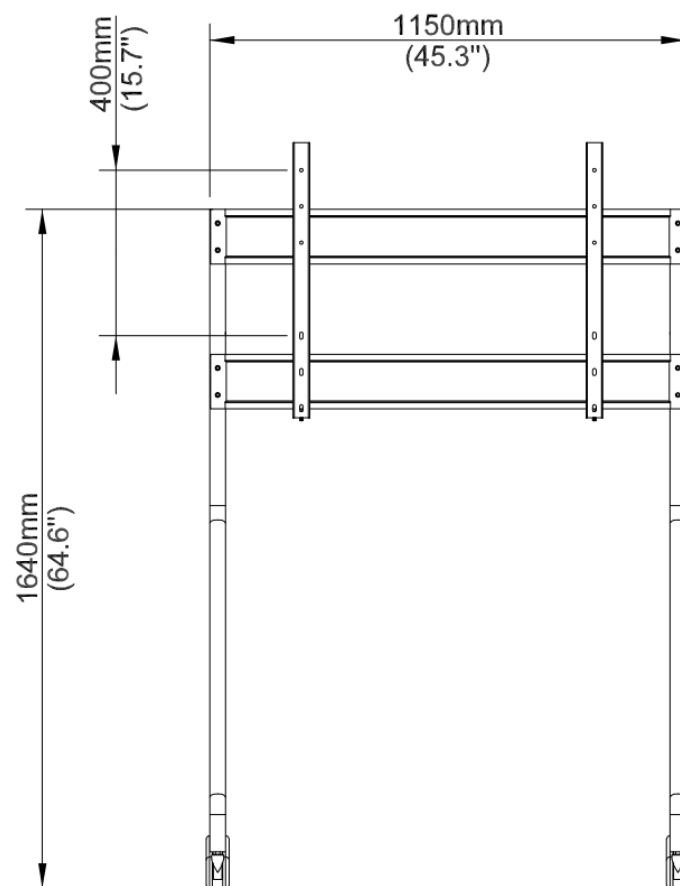


Specifications

Model	HB-8765-S
General	
Minimum screen bottom edge to ground (mm)	65": 943 75": 905 86": 919
Minimum screen top edge to ground (mm)	65": 1848 75": 1933 86": 2086
Maximum screen bottom edge to ground (mm)	65": 1118 75": 1080 86": 1094
Maximum screen top edge to ground (mm)	65": 2023 75": 2108 86": 2261

Product dimensions (W*H*D)(mm)	1150*1640*790
Package dimensions (W*H*D)(mm)	1582*800*120
Weight (kg)	Net weight: 19 Gross weight: 26
Material	Sheet metal
Compatible products	MW3565/75/86-U-S

Dimensions



Ordering Information

Model	Remarks
HB-8765-S	65" to 86" smart interactive display mobile stand

Zhejiang Uniview Technologies Co., Ltd.

Building No.10, Wanlun Science Park, Jiangling Road 88, Binjiang District, Hangzhou, Zhejiang, China

Email: overseasbusiness@uniview.com; globalsupport@uniview.com

<http://www.uniview.com>

©2022 Zhejiang Uniview Technologies Co., Ltd. All rights reserved.

*Product specifications and availability are subject to change without notice.