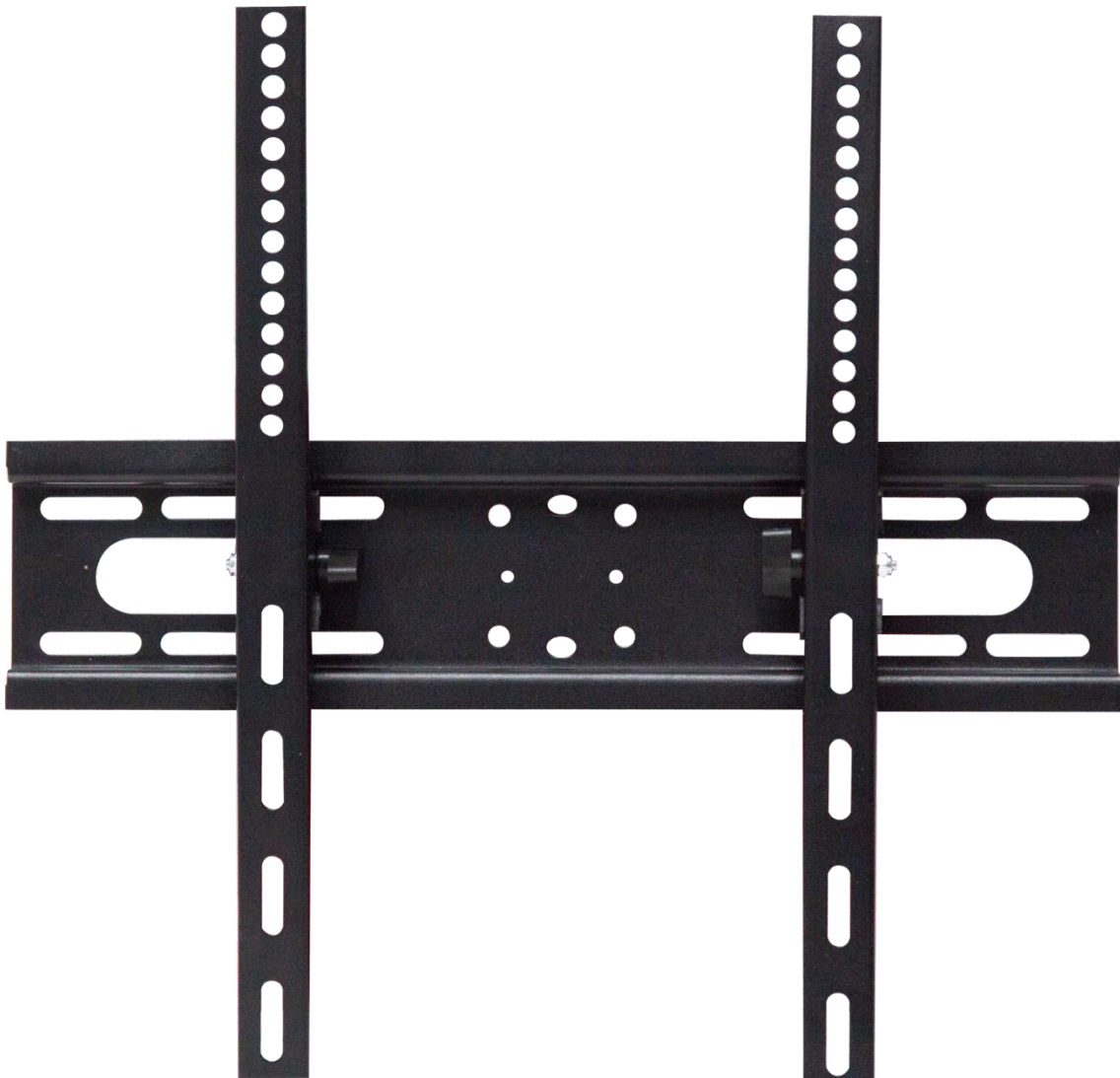


32"-55" Wall-hanging Mounts

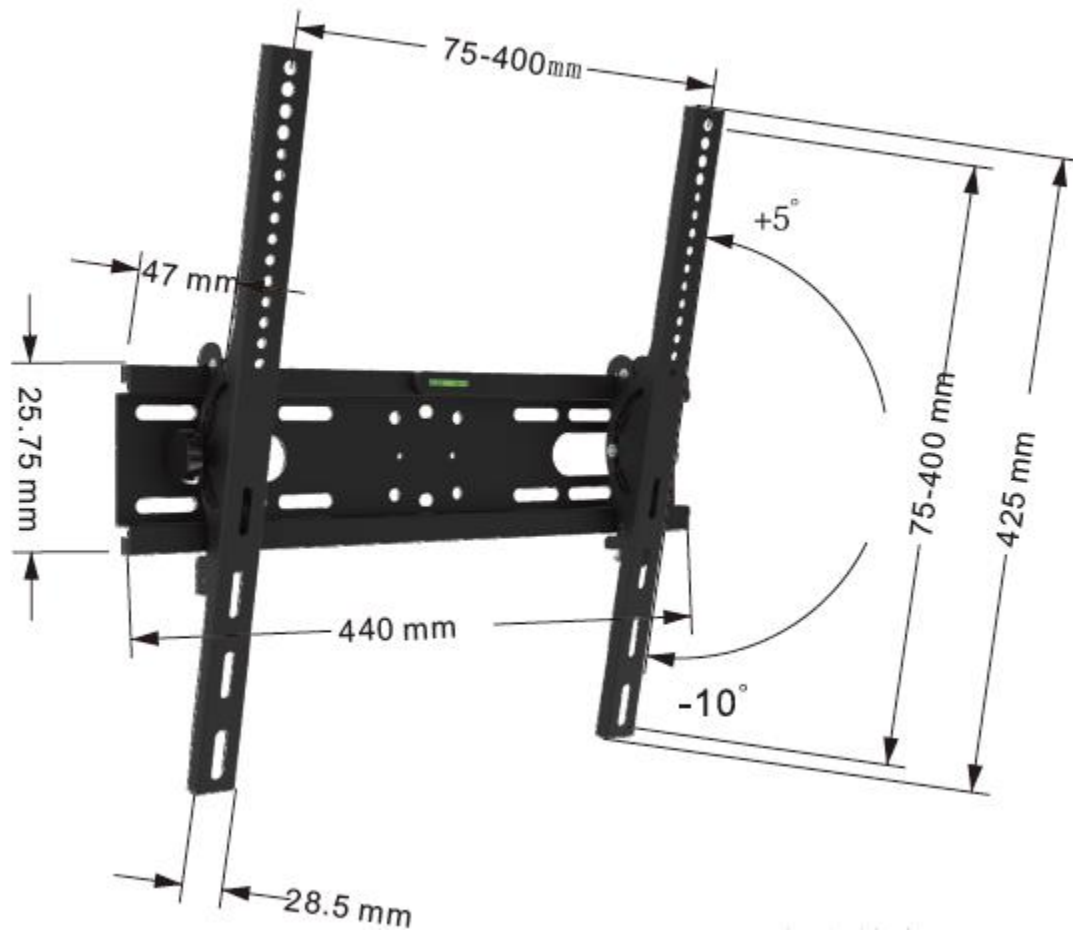
HB-4032-E



Specifications

Model	HB-4032-E
Dimension (W×H×D)	440mm×425mm×47mm
Weight	1.4 Kg
Material	SGCC
Standard	VESA

Dimensions



Zhejiang Uniview Technologies Co.,Ltd.

Building No.10, Wanlun Science Park, Jiangling Road 88, Binjiang District, Hangzhou, Zhejiang, China

Email: overseasbusiness@uniview.com; globalsupport@uniview.com

<http://www.uniview.com>

©2017 Zhejiang Uniview Technologies Co.,Ltd. All rights reserved.

*Product specifications and availability are subject to change without notice.