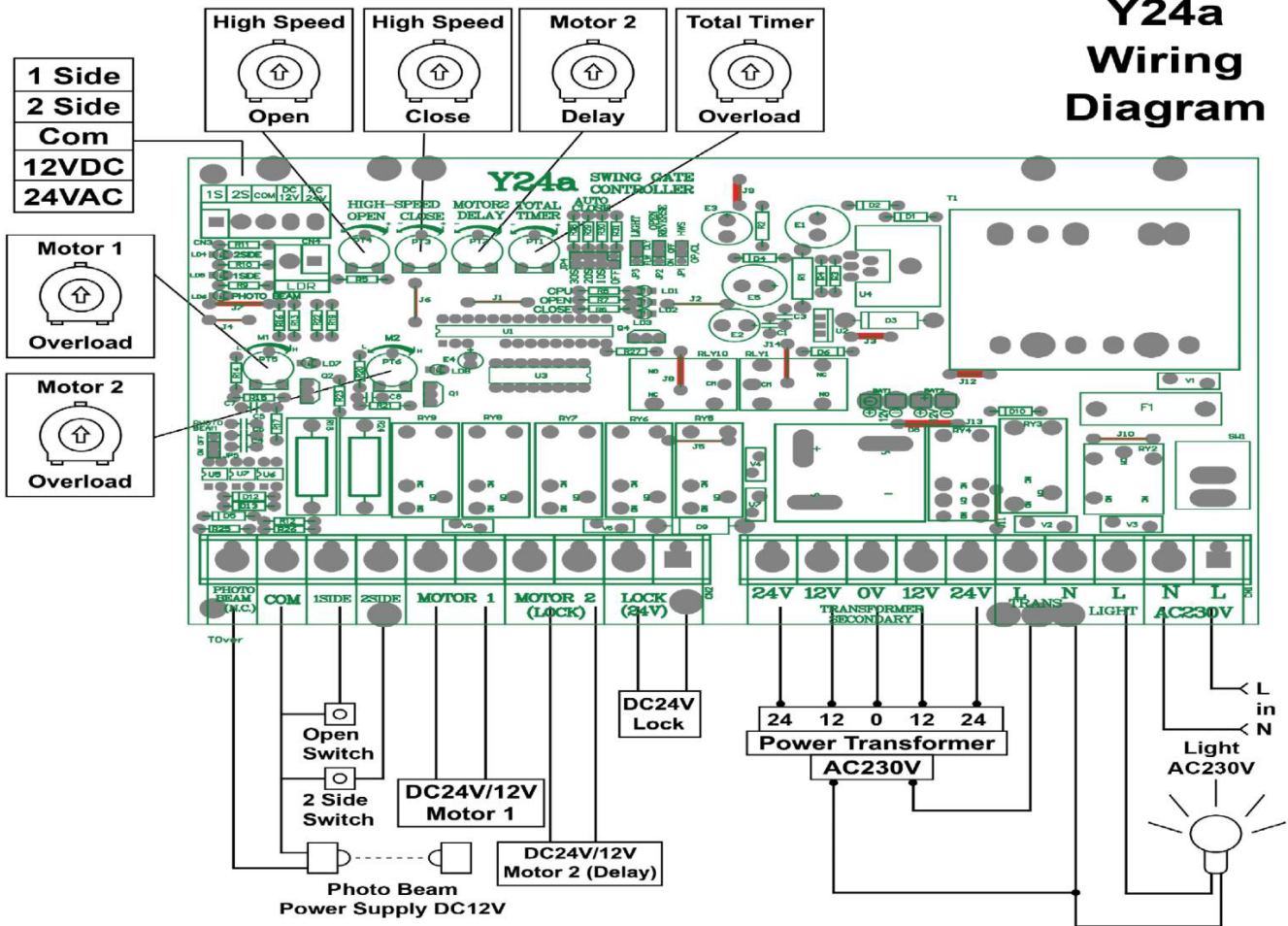


## Y24a - DEA Sting Swing Panel Diagram

### Y24a Wiring Diagram



		Function options	Description	Application Notes
JP1	HWS	OSC	Open, Stop & Close	
		OP/CL	Open & Close only	
JP2	Close Reverse	Off	Close Reverse Disabled	When enabled, a reverse voltage is provided after gate closed for 5 seconds
		On	Close Reverse Enabled	
JP3	Light	Follow	Light status & motor movement in parallel	Light is on when motor is on, light is off when motor is stopped When gate is closed, light will be off after 30 seconds
		Delay	Light status is set to be off after a delay of 60 seconds	
JP4	Auto Close	OFF	Gate auto close OFF	
		10S	Auto close ON 10 seconds	
		20S	Auto close ON 20 seconds	
		30S	Auto close ON 30 seconds	
JP5	Photo Beam	On	Select if Photo Beam Sensor Available	Safety feature, Gate will auto open when collision occur with Photo Beam Sensor available, & funtion on.
		Off	No Sensor available	
JP6	HiSpeed OL	ON	HI- speed Overload Enabled	
		OFF	HI- speed Overload Disabled	