

# XVR301-Q3 Series



## Key Features

- Support H.265/H.264 video formats
- Support audio over coaxial cable(only for TVI cameras)
- Support TVI, AHD, CVI, CVBS, IP cameras with adaptive access
- 4/8-channel BNC input
- Support 1-ch CVBS output, 1-ch VGA output, 1-ch HDMI output at up to 4K(3840 x 2160)
- HDMI and VGA simultaneous output
- Long transmission distance over coaxial cable
- Support mainstream cameras of ONVIF and RTSP protocols

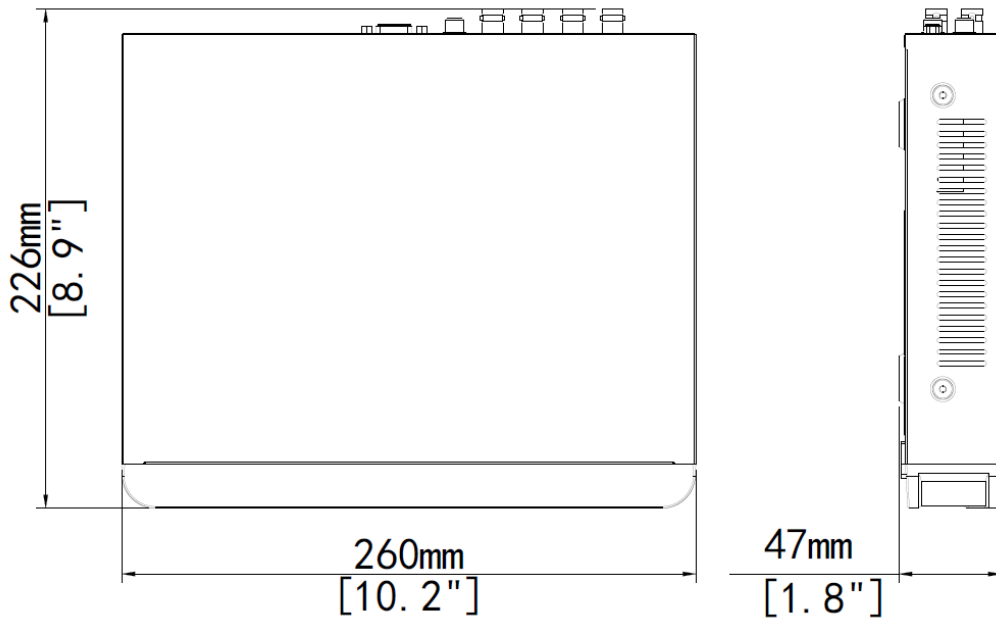
## Specifications

Model	XVR301-04Q3	XVR301-08Q3
Video/Audio Input		
Analog Video Input	4-ch, BNC	8-ch, BNC
IP Video Input	2-ch(only IP up to 6ch), each channel up to 4MP	4-ch(only IP up to 12ch), each channel up to 8MP
Supported Analog Camera Types	<b>Support AHD input:</b> 8MP@15fps 5MP@20fps 4MP@30fps 1080P@30fps 720P@30fps <b>Support TVI input:</b> 8MP@15fps 5MP@20fps 4MP@30fps	<b>Support AHD input:</b> 8MP@15fps 5MP@20fps 4MP@30fps 1080P@30fps 720P@30fps <b>Support TVI input:</b> 8MP@15fps 5MP@20fps 4MP@30fps

	1080P@30fps 720P@30fps <b>Support CVI input:</b> 8MP@15fps 5MP@25fps 4MP@30fps 1080P@30fps 720P@30fps <b>Support CVBS input</b>	1080P@30fps 720P@30fps <b>Support CVI input:</b> 8MP@15fps 5MP@25fps 4MP@30fps 1080P@30fps 720P@30fps <b>Support CVBS input</b>		
Audio Input	1-ch, RCA			
Audio Compression	G.711U			
<b>Video/Audio Output</b>				
CVBS Output	1-ch, BNC			
VGA Output	1920x1080p/60Hz, 1920x1080p/50Hz, 1600x1200/60Hz, 1280x1024/60Hz, 1280x720/60Hz, 1024x768/60Hz			
HDMI Output	3840 x 2160/30Hz, 1920x1080p/60Hz, 1920x1080p/50Hz, 1600x1200/60Hz, 1280x1024/60Hz, 1280x720/60Hz, 1024x768/60Hz			
Audio Output	1-ch, RCA			
Synchronous Playback	4	8		
Live view display	HDMI/VGA: 1/4/6/8/9	HDMI/VGA: 1/4/6/8/9/16		
Two-way Audio	1-ch, RCA			
<b>Network</b>				
Incoming Bandwidth	40Mbps (Up to 48Mbps after all analog channel conversion)	40Mbps (Up to 56Mbps after all analog channel conversion)		
Outgoing Bandwidth	48Mbps	64Mbps		
Remote Users	128			
Protocols	TCP/IP, P2P, UPnP, DHCP, HTTP, HTTPS, DNS, DDNS, SMTP			
Browser	IE(IE10/11) for Windows Firefox (version 52.0 and above) for Windows Chrome(version 45 and above) for Windows Edge(version 79 and above) for Windows			
<b>Encoding</b>				
Recording Resolution	8MP Lite/5MP/5MP Lite/4MP Lite/1080P/720P/CIF	8MP Lite/5MP/5MP Lite/4MP Lite /1080P/720P/CIF		
Recording	<b>Main stream</b>	<b>Sub stream</b>	<b>Main stream</b>	<b>Sub stream</b>
	8MP Lite@8fps	D1@8fps	8MP Lite@8fps	D1@8fps

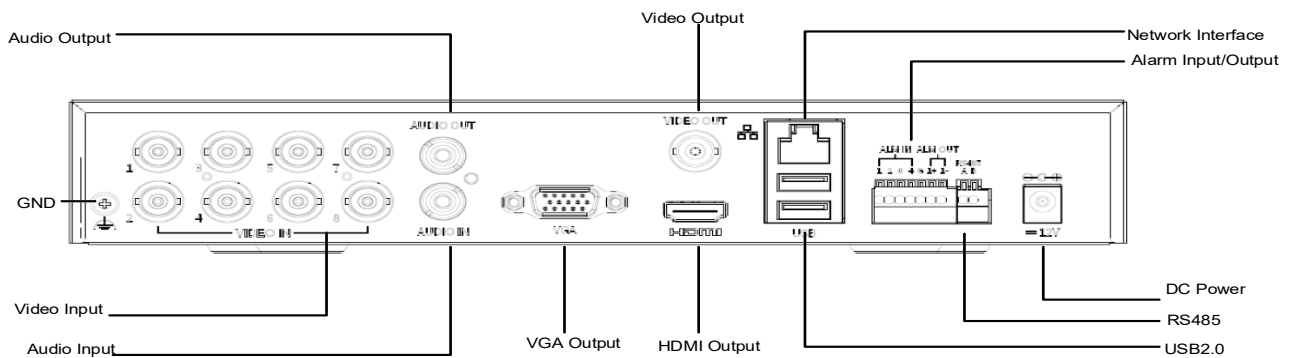
Frame Rate	5MP Lite @12fps	D1@12fps	5MP Lite @12fps	D1@12fps
	4MP Lite@15fps	D1@15fps	4MP Lite@15fps	D1@15fps
	1080P@15fps	D1@15fps	1080P@15fps	D1@15fps
	720p@30fps	D1@30fps	720p@30fps	D1@30fps
Audio Sample Rate	8KHz,16 bit per channel			
Audio Bit Rate	64Kbps per channel			
<b>Decoding</b>				
Capability	Analog: 4 x 8MP Lite@8, 4x 5MP Lite@12, 4x 4MP Lite@15, 4 x 1080P@15 IP: 1 x 4MP@30, 2 x 1080P@30		Analog: 8 x 8MP Lite@8, 8x 5MP Lite@12, 8x 4MP Lite@15, 8x 1080P@15 IP: 1 x 8MP@30, 2 x 4MP@30, 4 x 1080P@30	
<b>Hard Disk</b>				
SATA	1 SATA interface			
Capacity	Up to 8TB for each HDD (The maximum HDD capacity varies with environment temperature)			
<b>General Alarm</b>				
General Alarm	Motion detection			
Alert Alarm	IP Conflict, Network Disconnected, Disk offline, Disk Abnormal, Illegal Access, Hard Disk Space Low, Hard Disk Full, Recording/Snapshot Abnormal			
<b>External Interface</b>				
Network Interface	1 RJ45 10M/100M self-adaptive Ethernet Interface			
USB Interface	Rear panel: 2 x USB2.0			
RS485	1			
Alarm In	4-ch			
Alarm Out	1-ch			
<b>General</b>				
Power Supply	12V DC Power Consumption: ≤ 10 W( without HDD )			
Working Environment	-10°C ~ + 55°C ( +14°F ~ +131°F ), Humidity ≤ 90% RH(non-condensing)			
Dimensions(W×D×H)	260mm ×226mm× 47mm (10.2" × 8.9"×1.8")			
Weight ( without HDD )	≤1.1 Kg ( 2.42lb )			
<b>Certification</b>				
Certification	UL /CE /FCC /RoHS /WEEE			

## Dimensions



## Rear Panel

Take XVR301-08Q3 for example



### Zhejiang Uniview Technologies Co., Ltd.

Building No.10, Wanlun Science Park, Jiangling Road 88, Binjiang District, Hangzhou, Zhejiang, China

Email: [overseasbusiness@uniview.com](mailto:overseasbusiness@uniview.com); [globalsupport@uniview.com](mailto:globalsupport@uniview.com)

<http://www.uniview.com>

©2022 Zhejiang Uniview Technologies Co., Ltd. All rights reserved.

\* Product specifications and availability are subject to change without notice.