

User Manual

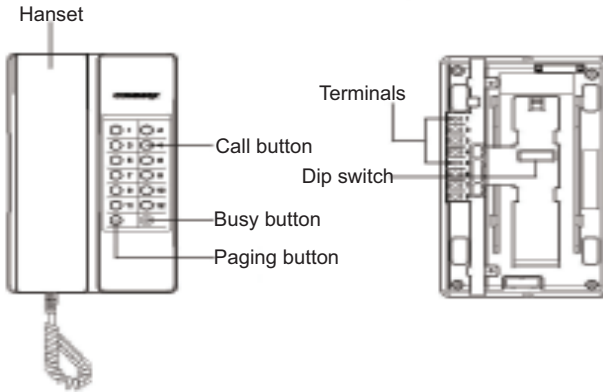
COMMONTALK INTERPHONE/PAGING SYSTEM TP-6RC/12RC



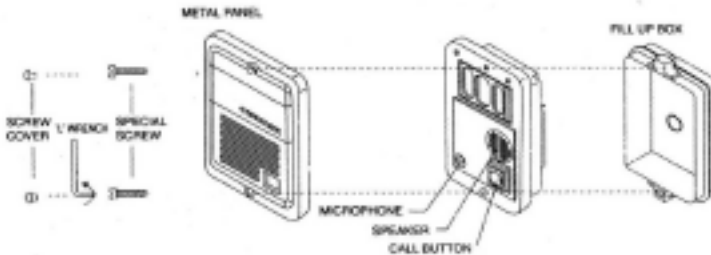
- Thank you for purchasing COMMAX products.
- Please carefully read this User's Guide (in particular, precautions for safety) before using a product and follow instructions to use a product exactly.
- The company is not responsible for any safety accidents caused by abnormal operation of the product.

■ CONTROLS AND FUNCTIONS

TP-nRC ROOMSTATION



DR-DW2N DOORSTATION



■ WIRING

This interphone is a simple wiring type and on all master and door entry system According to customer's requirement. It can be composed of various system such as a 4 common wire in parallel system.

External Paging Speaker (Optional)

A built-in amplifier in each interphone station permits the addition of an external speaker to any station located in an area where the ambient sound level may interfere with the ability to hear paging announcement and the call tone.

Doorstation(Optional)

The commax Model DR-DW2N is a door station unit of TP-nRC interphone system and electric door releaser can be used with this doorphone system.

Power Supply (Optional)

The commax Model RF-1A regulated power supply provides 12V \pm , 1A
A bracket is provided for mounting to a wall. A pilot lamp on the monitor illuminates when power has been applied.

BE SURE TO OBSERVE CORRECT POLARITY WIRING WHEN CONNECTING THE POWER SUPPLY TO THE JUNCTION TERMINAL.

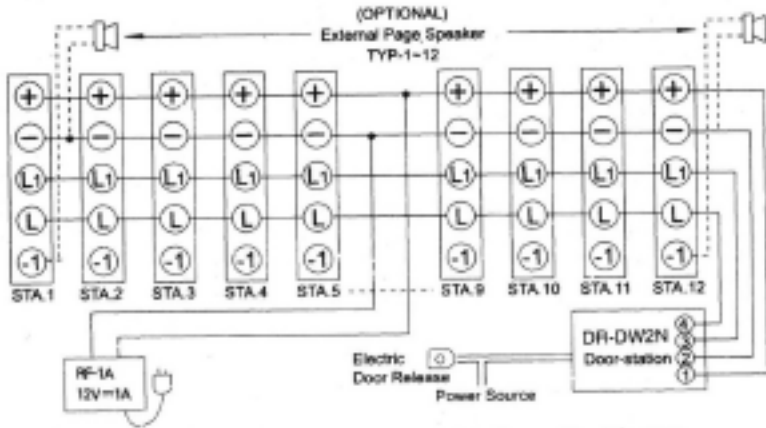


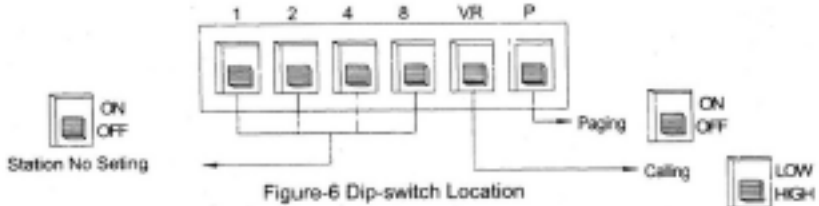
Figure-5 TP-nRC and DR-DW2N Connection Diagram

NOTE

J if the cable run is very long, connect the power supply to a junction terminal mid-way through the run.

J One power supply(RF-1 A) is recommended for each six station in a system.
(Require two power supply(RF-1A) for more 7 stations of TP-nRC)

■ FIXING A PIN OF STATION NUMBER



The switch, its can be adjusted station number's on bottom side, has each interphone(TP-nRC) which switch consist of 6 positions. 2 position of right side is adjusted paging and calling volume TP-nRC 4 position of left side is adjusted stations number of each interphone(TP-nRC)

EXAMPLE



■ INSTALLATION

Each TP-nRC Interphone has a bracket to facilitate wall-mounted installation. Secure the bracket to the wall with screws provided. Fit the slots in the interphone base over the hooks on the bracket and pull the interphone down slightly to secure.

■ OPERATION INSTRUCTION

CALLING ANOTHER STATION

1. Lift the handset and press the call button for the desired station.
A tremolo call tone will sound at the station called.
2. You can hear a faint calling tone from your receiver.
3. To make a conference call, simultaneously press the desired call buttons.
4. When you have completed your call, replace the handset.

* RECEIVING A CALL

1. When the call tone sounds, lift the handset and reply.
2. Replace the handset when finished.

NOTE Calling sound can be adjusted by calling switch(Figure-6)

* ALL-CALL PAGING

1. Lift the handset and press and hold the paging button corresponding to the station you are using, speak into the handset

NOTE If not necessary the paging function, adjust the paging switch to "OFF" position (Figure-6)

* INTERPHONE DOORPHONE COMMUNICATION

1. Visitors press the call button on doorstation (DR-DW2N): then they listen to the chime sound with two tone from roomstation(TP-nRC)

NOTE: 1)Not calling sound at roomstation, if adjusted to "OFF" position in paging switch.
2)Pick up the handset within 12-15 seconds for talking.
3)When you are talking between interphones, you can hear faint calling sound from the doorstation through receiver.

2. Pick up the handset of roomstation and talk to the visitor.
3. Without pushing the call button, you can talk to the other party and can also maintain the conversation away from 30Cm.
4. After ascertainment of the visitor, the door opens by press the No 1 button on the roomstation.

■ SPECIFICATION

Power source	12V==
Current consumption	200mA
Effective distance	500M/0.65mm
wiring	4common wires

COMMAX



COMMAX Co.,Ltd.

513-11, Sangdaewon-dong, Jungwon-gu, Seongnam-si, Gyeonggi-do, Korea
Int'l Business Dept. Tel. : +82-31-7393-540~550 Fax. : +82-31-745-2133
Web site : www.commax.com

Printed In Korea / 2011.04.104