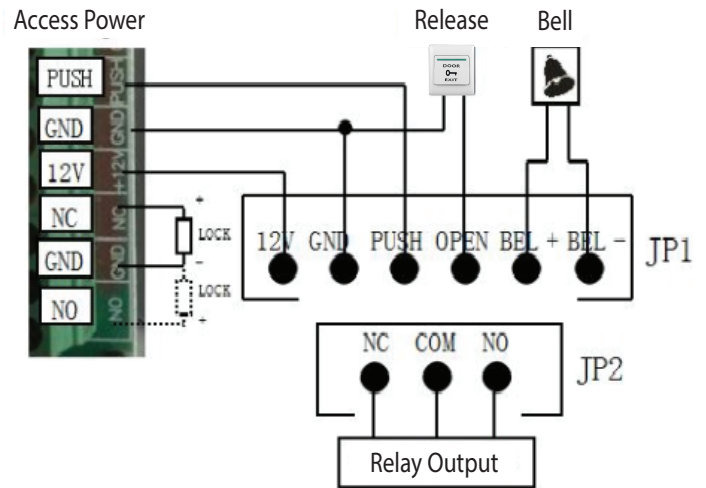
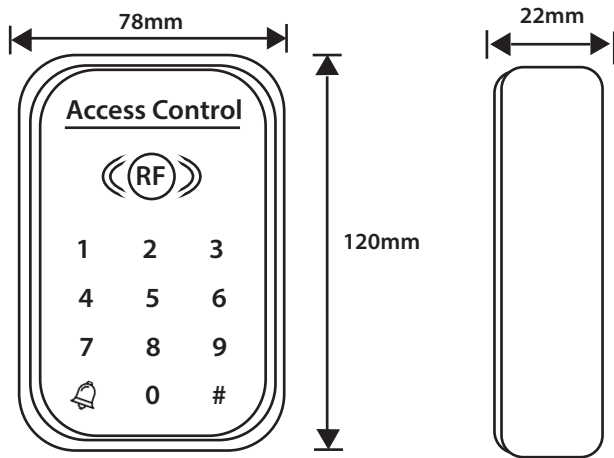


T20

Standalone Touch Access Controller



DIMENSION



SPECIFICATIONS

| | |
|-------------------------|------------------------------------|
| Operating Voltage | DC 12V \pm 10% |
| Operating Current | < 100mA |
| Dimension | 120(H) x 78(L) x 22(W) mm |
| Weight | 110 g |
| Ambient Temperature | 0 - 60°C |
| Relative Humidity | 20% - 80% |
| Storage | 1000 users |
| Card Type (Alternative) | EM (ID) card (IC card for options) |
| Card Reading Distance | 1 - 15 cm |

ACCESSORIES



12V2A
Power Adaptor



Electromagnetic Lock
(600lbs series)



Door Exit Button
with Key Logo (Big)



Overriding Keyswitch
(S.Steel Plate & Switch)



Emergency
Breakglass
(Color : Green)



DC12V 5AMP
Power Supply Metal Box
with Battery



Thickness EM
Proximity Card
with Serial Number
(125KHZ)



EM (RFID)
Proximity Keyfob Tag
with Serial Number
(125KHZ)



Wiegand
Proximity Reader
(125KHZ)



12VDC
Door Bell