

SP5500 PCB Layout

LEDs

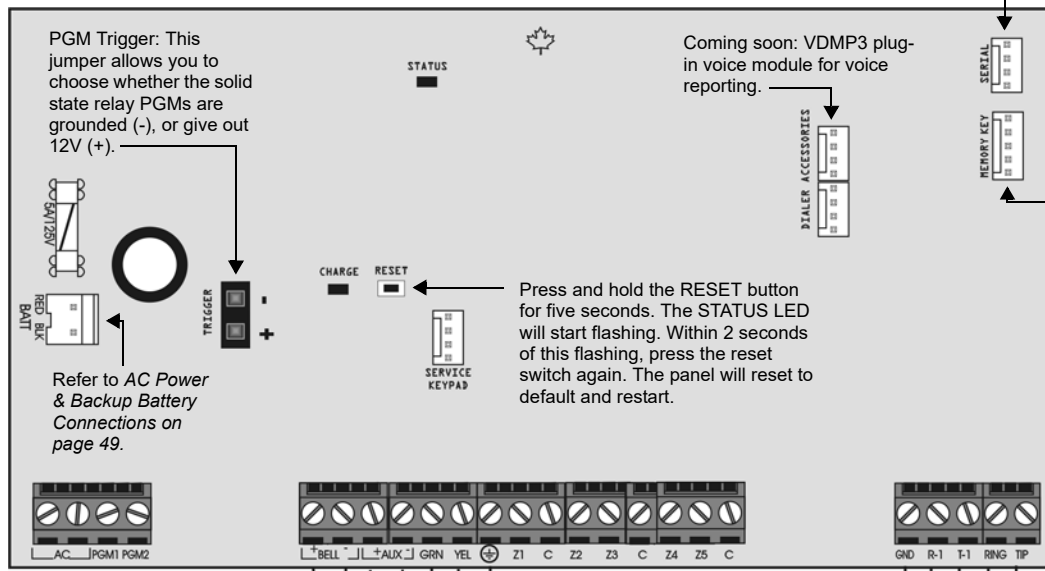
Charge LED:
Charging and battery test LED

Status LED:

- Flash once every second = Normal
- Flashes ON 1 second and OFF 1 second = Any trouble
- Always ON = Panel is using phone line
- Fast flash 6 seconds after power up = Installer lock enabled

Used for In-Field Firmware upgrade through a 306USB Direct Connect Interface. See Connecting to WinLoad on page 50 for details.

Four pin connector can be used for quick installation of a keypad.

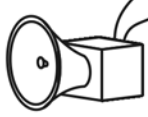


Paradox Memory Key (PMC-3, PMC-4)

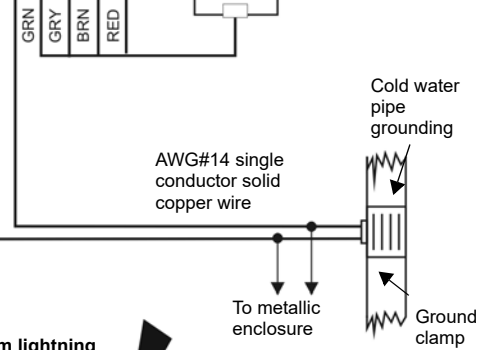
Disconnect telephone line before servicing.



The "BELL" output will shutdown if the current exceeds 3A.



Refer to Single Zone Inputs on page 47



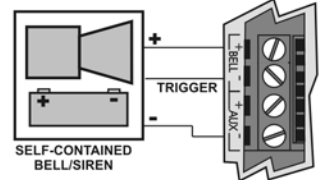
AUX Power

Refer to transformer requirements on page 49 for Aux. Power Output. To connect additional wiring to auxiliary power, use the red (+) and black (-) keypad connectors. Auxiliary power will shut down if current exceeds 1.1A. If the auxiliary output is overloaded and is shut down, you must disconnect all loads from the output for at least 10 seconds before reconnecting any load back to the auxiliary output.

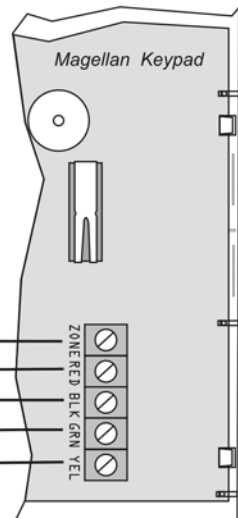
To provide maximum lightning protection we strongly recommend having separate earth connections for the dialer and zone ground terminals.

- Max. amount of keypads = 15 keypads**
- Max. current = 700 mA**
- Max. distance of keypad from panel = 76m (250 feet)**
- Max. total run of wire = 230m (750 feet)**

Connection for Self-Contained Bell/Siren



The sum of the current drawn from the BELL and AUX must be limited to 1.3A (40VA transformer strongly recommended). Exceeding this limit will overload the panel power supply and lead to complete system shutdown.



For the keypad's zone configurations, refer to the **Installer Quick Menu**. If EOL is enabled: see section **[706]** option **[2]**. Also refer to Keypad Zone Connections on page 47.

This equipment must be installed and maintained by qualified service personnel only. For UL and C-UL warnings, refer to the UL and C-UL Warnings section at the back of the Reference & Installation Manual.