

# Network Video Recorder

NVR302-09/16S2



## Key Features

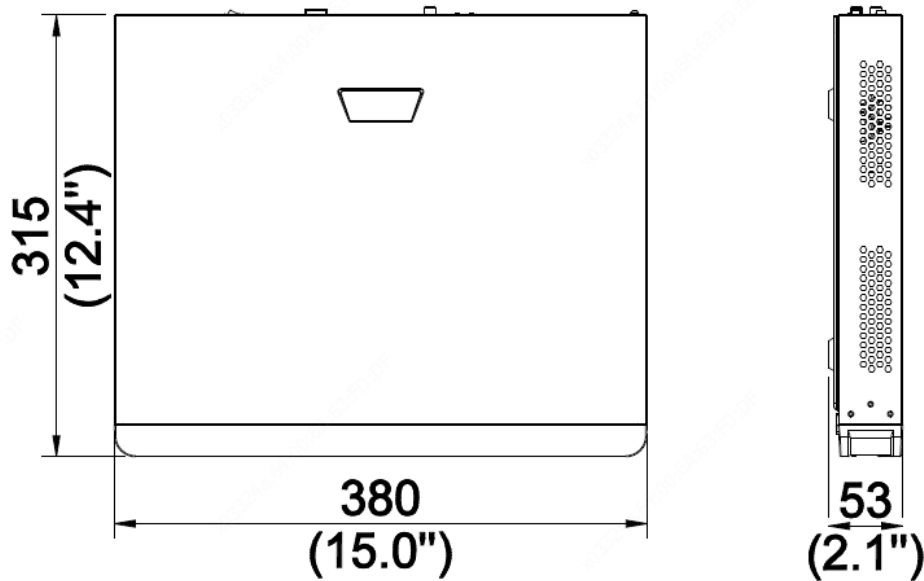
- Support Ultra265/H.265/H.264 video formats
- 9/16-channel input
- Support mainstream cameras of ONVIF conformance(Profile S, Profile G, Profile T ) and RTSP protocols
- HDMI and VGA simultaneous output
- Up to 8 Megapixels resolution recording
- 2 SATA HDDs, up to 8TB for each HDD
- ANR technology to enhance the storage reliability when the network is disconnected
- Support cloud upgrade

## Specifications

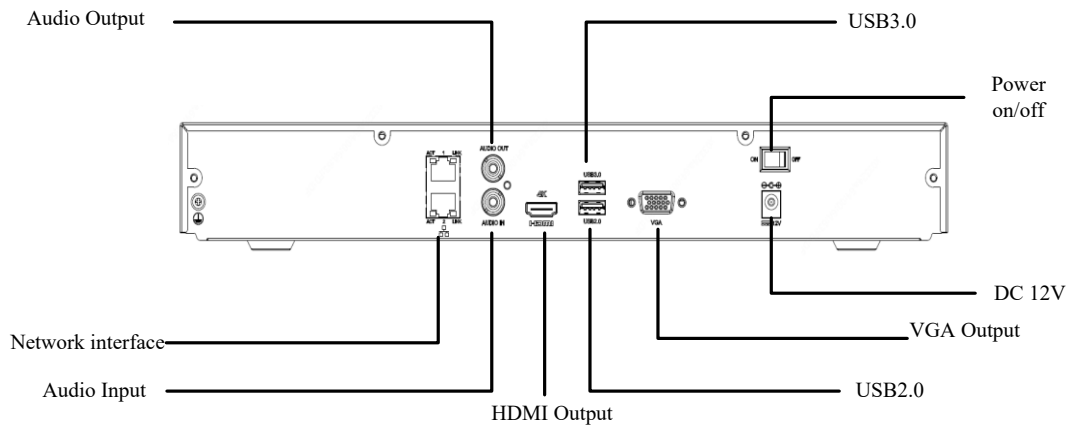
Model	NVR302-09S2	NVR302-16S2
<b>Video/Audio Input</b>		
IP Video Input	9-ch	16-ch
Two-way Audio Input	1-ch, RCA	
<b>Network</b>		
Incoming bandwidth	160Mbps	
Outgoing bandwidth	64Mbps	
Remote Users	128	
Protocols	TCP/IP, P2P, UPnP, NTP, DHCP, PPPoE, HTTP, HTTPS, DNS, DDNS, SNMP, SMTP	
Browser	IE(IE10/11) for Windows Firefox (version 52.0 and above) for Windows Chrome(version 45 and above) for Windows Edge(version 79 and above) for Windows	
<b>Video/Audio Output</b>		
HDMI/VGA Output	HDMI: 4K (3840x2160)@30, 1920x1080p@60, 1920x1080p@50, 1600x1200@60, 1280x1024@60, 1280x720@60, 1024x768@60 VGA: 1920x1080p@60, 1920x1080p@50, 1280x1024@60, 1280x720@60, 1024x768@60	
Audio Output	1-ch, RCA	
Audio Compression	G.711A, G.711U	
Recording Resolution	8MP/6MP/5MP/4MP/3MP/1080p/960p/720p/D1/2CIF/CIF	
Synchronous Playback	9-ch	16-ch
Liveview display	1/4/6/8/9	1/4/6/8/9/16
Corridor Mode Screen	3/4/5/7/9	3/4/5/7/9/10/12/16
<b>Decoding</b>		
Decoding format	Ultra 265/H.265/H.264	
Live view/Playback	8MP/6MP/5MP/4MP/3MP/1080p/960p/720p/D1/2CIF/CIF	
Capability	2 x 4K@30, 3 x 5MP@30, 4 x 4MP@30, 5 x 3MP@30, 8 x 1080p@30, 9 x 1080p@25	2 x 4K@30, 3 x 5MP@30, 4 x 4MP@30, 5 x 3MP@30, 8 x 1080p@30, 16 x 720p@30
<b>Hard Disk</b>		
SATA	2 SATA interfaces	
Capacity	Up to 8TB for each disk (The maximum HDD capacity varies with environment temperature)	
<b>Smart</b>		
VCA Detection by Camera	Intrusion Detection, Cross Line Detection, Enter Area, Leave Area, Defocus Detection, Scene Change Detection, Object Left Behind, Object Removed, Auto Tracking, Ultra Motion Detection(UMD)	

VCA Search	Behavior Search
People counting	People Flow Counting, Crowd Density Monitoring
Smart Intrusion Prevention (SIP), UMD by Camera	Total 8-ch
<b>General Alarm</b>	
General Alarm	Motion, Tampering, Human Body Detection, Video Loss, Alarm Input, Audio Detection
Alert Alarm	IP Conflict, Network Disconnected, Disk Offline , Disk Abnormal, Illegal Access, Hard Disk Space Low, Hard Disk Full, Recording/Snapshot Abnormal
<b>External Interface</b>	
Network Interface	2 RJ-45 10M/100M/1000M self-adaptive Ethernet Interface
USB Interface	Rear panel: 1 x USB2.0, 1 x USB3.0 Front panel: 1 x USB2.0
RS232	NA
RS485	NA
Alarm In	NA
Alarm Out	NA
<b>General</b>	
Power Supply	12V DC Power Consumption: ≤ 15 W (without HDD)
Working Environment	-10°C~+ 55°C (+14°F~+131°F), Humidity ≤ 90% RH (non-condensing)
Dimensions (W×D×H)	380mm × 315mm ×53mm (15.0" × 12.4" ×2.1")
Weight (without HDD)	≤ 0.98Kg (2.16lb)
<b>Certification</b>	
Certification	CE, FCC, UL, RoHS, WEEE
CE	EN 55032: 2015, EN 61000-3-3: 2013, EN IEC 61000-3-2: 2019, EN 55035: 2017
FCC	Part15 Subpart B, ANSI C63.4

## Dimensions



## Rear Panel



### Zhejiang Uniview Technologies Co., Ltd.

Building No.10, Wanlun Science Park, Jiangling Road 88, Binjiang District, Hangzhou, Zhejiang, China

Email: [overseasbusiness@uniview.com](mailto:overseasbusiness@uniview.com); [globalsupport@uniview.com](mailto:globalsupport@uniview.com)

<http://www.uniview.com>

©2020-2022 Zhejiang Uniview Technologies Co., Ltd. All rights reserved.

\* Product specifications and availability are subject to change without notice.