

NVR301-X-Series



Key Features

- Support Ultra 265/H.265/H.264 video formats
- 4/8/16-channel input
- Support mainstream cameras of ONVIF conformance(Profile S, Profile G, Profile T) and RTSP protocols
- Support 1-ch HDMI, 1-ch VGA
- HDMI and VGA simultaneous output
- Up to 4K resolution recording
- 1 SATA HDD up to 8TB
- Support cloud upgrade

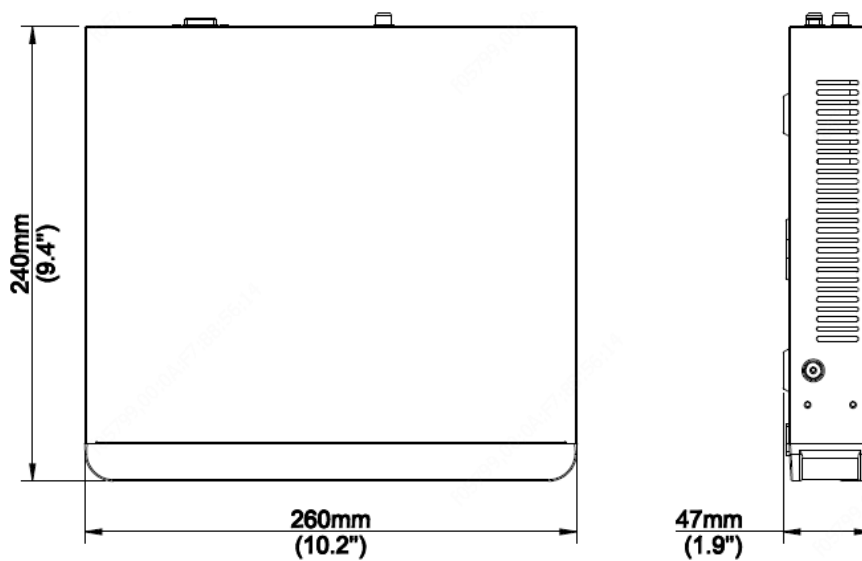
Specifications

Model	NVR301-04X	NVR301-08X	NVR301-16X
Video/Audio Input			
IP Video Input	4-ch	8-ch	16-ch
Two-way Audio Input	1-ch, RCA		
Network			
Incoming Bandwidth	64Mbps		
Outgoing Bandwidth	64Mbps		
Remote Users	128		
Protocols	TCP/IP, P2P, UPnP, NTP, DHCP, PPPoE, HTTP, HTTPS, DNS, DDNS, SNMP, SMTP		
Browser	IE(IE10/11) for Windows Firefox (version 52.0 and above) for Windows Chrome(version 45 and above) for Windows Edge(version 79 and above) for Windows		
Video/Audio Output			
HDMI/VGA Output	HDMI: 3840x2160/30Hz, 1920x1080p/60Hz, 1920x1080p/50Hz, 1600x1200/60Hz, 1280x1024/60Hz,		

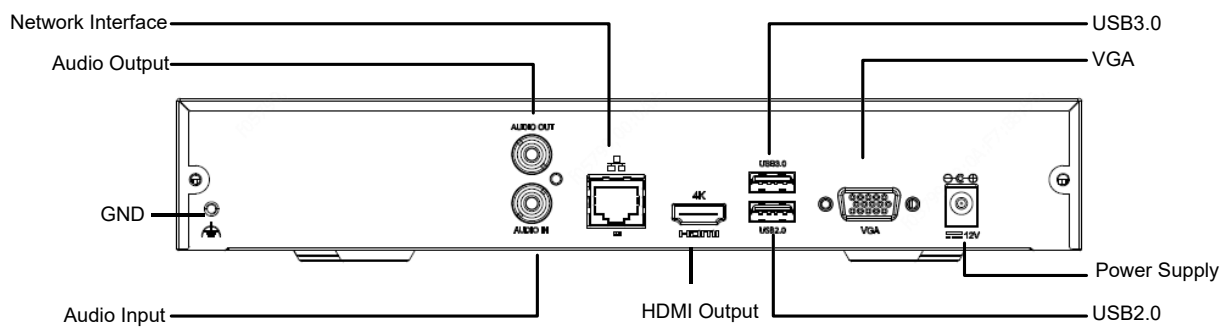
	1280x720/60Hz, 1024x768/60Hz VGA: 1920x1080p/60Hz, 1920x1080p/50Hz, 1600x1200/60Hz, 1280x1024/60Hz, 1280x720/60Hz, 1024x768/60Hz		
Recording Resolution	8MP/5MP/4MP/3MP/1080p/960p/720p/D1/2CIF/CIF		
Audio Output	1-ch, RCA		
Audio Compression	G.711A, G.711U		
Synchronous Playback	4-ch	8-ch	16-ch
Liveview display	1/4	1/4/6/8/9	1/4/6/8/9/16
Corridor Mode Screen	3/4	3/4/5/7/9	3/4/5/7/9/10/12/16
Snapshot			
FTP/Schedule/Event Snapshot	4-ch snapshot, up to D1 resolution		
Decoding			
Decoding format	Ultra 265/H.265/H.264		
Liveview/Playback	8MP/5MP/4MP/3MP/1080p/960p/720p/D1/2CIF/CIF		
Capability	2 x 4K@30, 3 x 5MP@30, 4 x 4MP@30, 5 x 3MP@30, 8 x 1080p@30, 16 x 720p@30		
Hard Disk			
SATA	1 SATA interface		
Capacity	Up to 8TB for each disk (The maximum HDD capacity varies with environment temperature)		
Smart			
VCA Detection by Camera	Intrusion Detection, Cross Line Detection, Enter Area, Leave Area, Defocus Detection, Scene Change Detection, Object Left Behind, Object Removed, Auto Tracking, Ultra Motion Detection(UMD)		
VCA Search	Behavior Search		
People counting	People Flow Counting, Crowd Density Monitoring		
Smart Intrusion Prevention (SIP), UMD by Camera	Total 4-ch	Total 8-ch	
General Alarm			
General Alarm	Motion, Tampering, Human Body Detection, Video Loss, Alarm Input, Audio Detection		
Alert Alarm	IP Conflict, Network Disconnected, Disk Offline, Disk Abnormal, Illegal Access, Hard Disk Space Low, Hard Disk Full, Recording/Snapshot Abnormal		
External Interfac			
Network Interface	1 RJ45 10M/100M self-adaptive Ethernet Interface		
USB Interface	Rear panel: 1 x USB2.0, 1 x USB3.0		
RS232	NA		
RS485	NA		
Alarm In	NA		
Alarm Out	NA		
General			
Power Supply	12V DC Power Consumption: ≤8 W (without HDD)		
Working Environment	-10°C ~ +55°C (+14°F ~ +131°F), Humidity ≤ 90% RH (non-condensing)		

Dimensions (WxDxH)	260mm × 240mm × 47mm (10.2"×9.4"×1.9 ")
Weight (without HDD)	1.3kg (2.87 lb)
Certification	
Certification	CE, FCC, UL, RoHS, WEEE
CE	EN 55032: 2015, EN 61000-3-3: 2013, EN IEC 61000-3-2: 2019, EN 55035: 2017
FCC	Part15 Subpart B, ANSI C63.4

Dimensions



Rear Panel



Zhejiang Uniview Technologies Co., Ltd.

Building No.10, Wanlun Science Park, Jiangling Road 88, Binjiang District, Hangzhou, Zhejiang, China

Email: overseasbusiness@uniview.com; globalsupport@uniview.com

<http://www.uniview.com>

©2019-2022 Zhejiang Uniview Technologies Co., Ltd. All rights reserved.

* Product specifications and availability are subject to change without notice.