



*\*The image is for illustration purpose only.*



# No climbing over, no crawling under.

## Dual Lane Full Height Turnstile

TTS730 semi auto stainless steel dual lane full-height turnstile offer maximum access security control. Users are not able to crawl underneath or climb over to gain unauthorized access into premise.

Full height turnstile can effective control single pass through each time. It is built with high quality material for advanced reliability and vandal resistance, suitable for outdoor usage with high people traffic environment.

The semi auto turnstile operation is based on solenoid lock that allows blocking rotation direction.



TTS730

## Features:

### 1 Optimal design

TTS730 design is optimized to accommodate limited space of site environment that require 2 lane traffic flow.

### 2 Convenient

The LED light indicator make it convenient for users to know the passage direction. On standby mode, arrow is downward. Upon valid card, arrow will point to upward to indicate approved access. It can be configured to be bi-directional or uni-directional.

### 3 Easy integration

Easy integration with any third party access control or ticketing interface by external mounting or built-in.

### 4 Durable

The housing is made of high quality 304 stainless steel for long lasting and vandal resistance. Suitable for both indoor and outdoor environment.

### 5 Secure

Anti-reverse smart locking system to prevent unauthorized passed without access card by pushing through the arm. It only allows one person pass through at a time with passage rate of 15-20 persons/min.

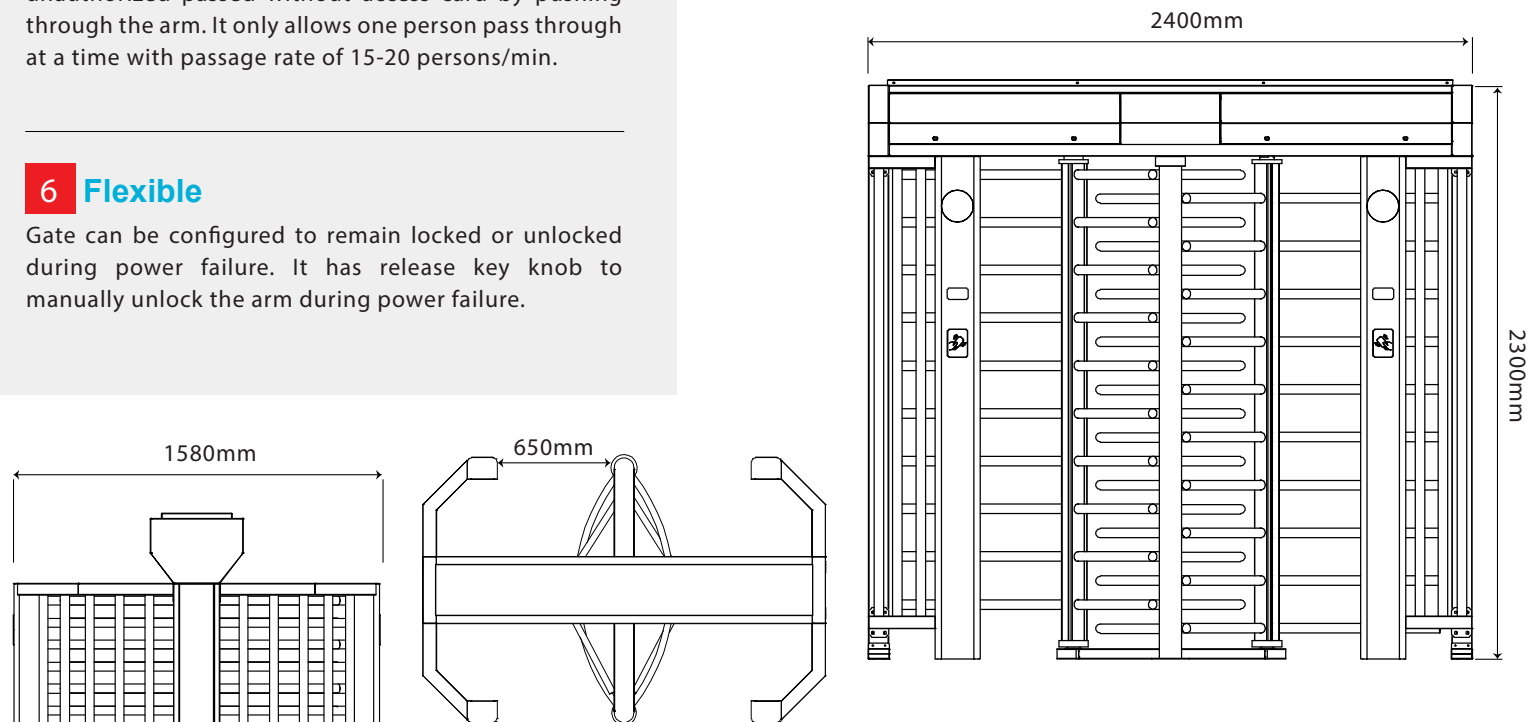
### 6 Flexible

Gate can be configured to remain locked or unlocked during power failure. It has release key knob to manually unlock the arm during power failure.

## Technical specification:

Description	Parameters
Power Supply Input	AC 100V-240V; 50/60Hz
Power Voltage	DC 24V / 30watt
Open Signal	Passive signals (relay signal, dry contact signals)
Passage Width	≤650mm
Response Time	≤0.2s
Optimal Pass Speed	15-20 person/min
Arm Rotation Angle	90 / 120 degree
Working Environment	Indoor and Outdoor with shading
Working temperature	-25°C~+70°C
IP rating	IP 52
Housing / Arm Materials	304 Stainless Steel (brushed finish)
Housing dimension	2400mm (W) x 1580mm (L) x 2300mm (H)
Net weight	470kg
Humidity	0-95

## Dimension:



Authorised Dealer: