

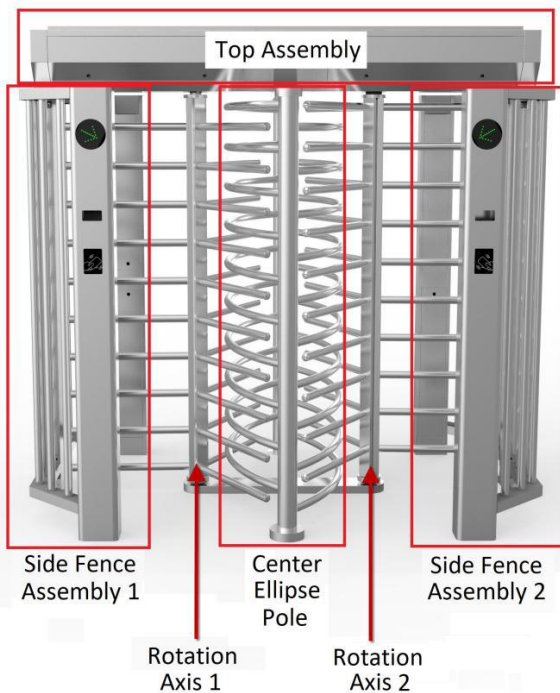
# TTS730 Dual Lane Full Height Turnstile

[WWW.MAG.COM.MY](http://WWW.MAG.COM.MY)


## Technical Specifications

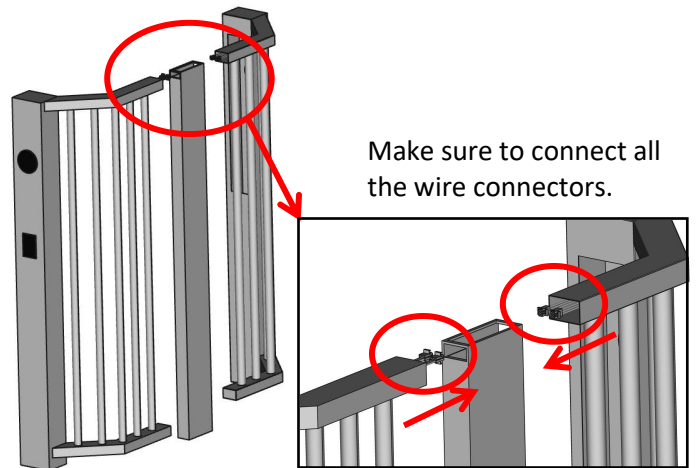
Description	Parameter
Power Supply Input	AC 220V 50HZ
Power Voltage	DC 24V /50W
Open Signal	Dry contact signals
Passage Width	830mm
Response Time	≤0.2s
Optimal Pass Speed	25-30 person/min
Housing / Arm	304 Stainless Steel
Arm Rotation Angle	90/120 degree
Working Environment	Indoor and outdoor
Working Temperature	-20°C ~ +70°C
IP Rating	IP 52
Dimension (mm)	2280(H) x 2400(L) x 1550(W)

## Equipment Installation



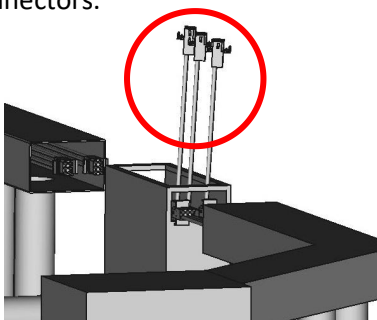
### Installation:

- 1) Make sure the flooring is flat & water leveled.
- 2) Start with the assembly of the Side Fence Assembly.



- 3) Connect all the wire connectors at Side Fence Assembly.
- 4) Assemble the Side Fence Assembly 1 & 2 accordingly.

- 5) Pull up the remaining cable connectors.



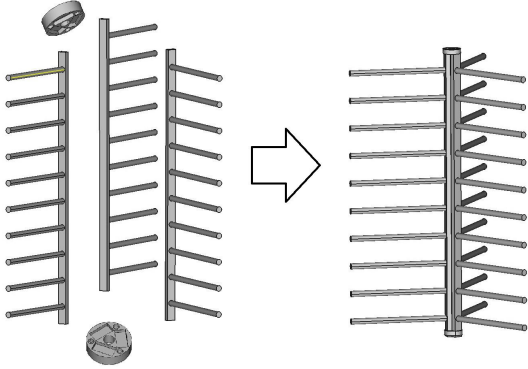
- 6) Fix Top Assembly.



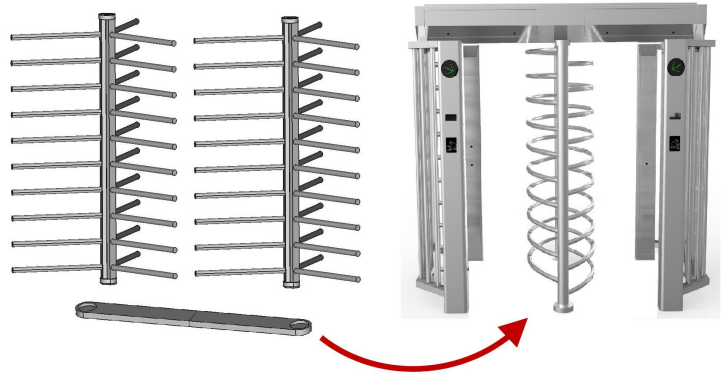
- 7) Fix Center Ellipse Pole.



8) Assemble the Rotation Axis 1 & 2.



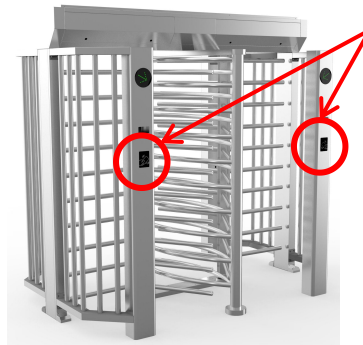
9) Fix Rotation Axis 1 & 2 to the full height turnstile.



10) Complete Assembly.



11) Install card reader.



Install reader behind the pole stand.



## Wiring Diagram

