

# TTS470

## Fully Automatic Tripod Turnstile



Date: 7 March 2016, Revision: V3

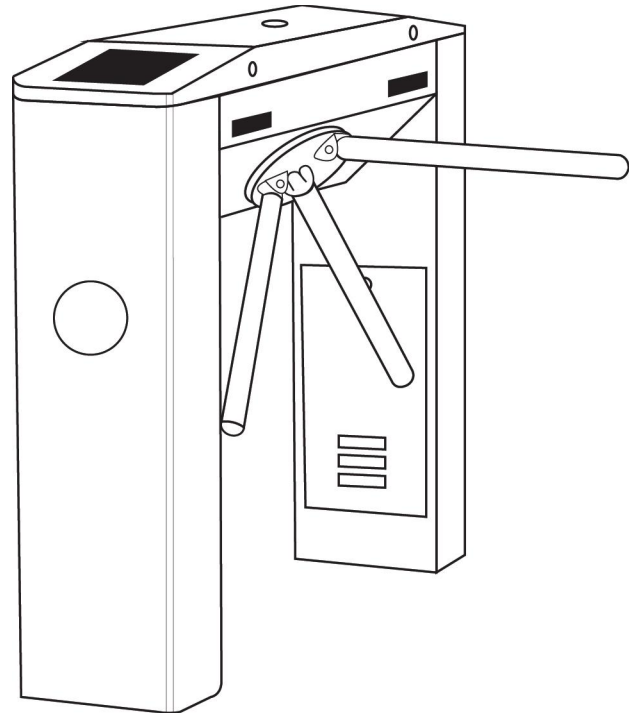
### General Description

**TTS470** is a fully automatic tripod turnstile that is design for heavy traffic or public mass transportation such as bus or train station. TTS470 is using high duty cycle brushless DC motor and robust mechanical gear system to cater continuous non-stop pedestrian traffic during peak hours.

**TTS470** is equipped with more advance control system to accommodate rough usage and force pass through attempts.

**TTS470** is an innovative pedestrian control technology that designed to achieve best balance of quality performance and affordability.

**TTS470** is ideal indoor solution for game park, bus station, train station, stadium or any site with high traffic flow.



### Features.

#### Minimum maintenance.

Used brushless DC motor eliminate the need of changing carbon brush thus reducing maintenance work. Key internal parts is treated with anti-rust and anti-septic to ensure long term reliability.

#### Heavy duty

All internal gear and mechanism is extra harden to cater for application with high traffic flow. Arm support buffer rotation to protect motor from being damaged during vandalism attempt to turn the arm by force.

#### Easy Intergration

Dry contact output feedback signal is available to indicate completion of rotation of single user. Turnstile can be manually triggered to drop arm or free rotation. separate dry contact input is available to trigger turnstile to open from LEFT or RIGHT. All these input or output interface make it easy to integrate with external system such as ticketing or access control.

#### Anti Tailgating

Arm will automatic look back after each passes to avoid second person following from back.

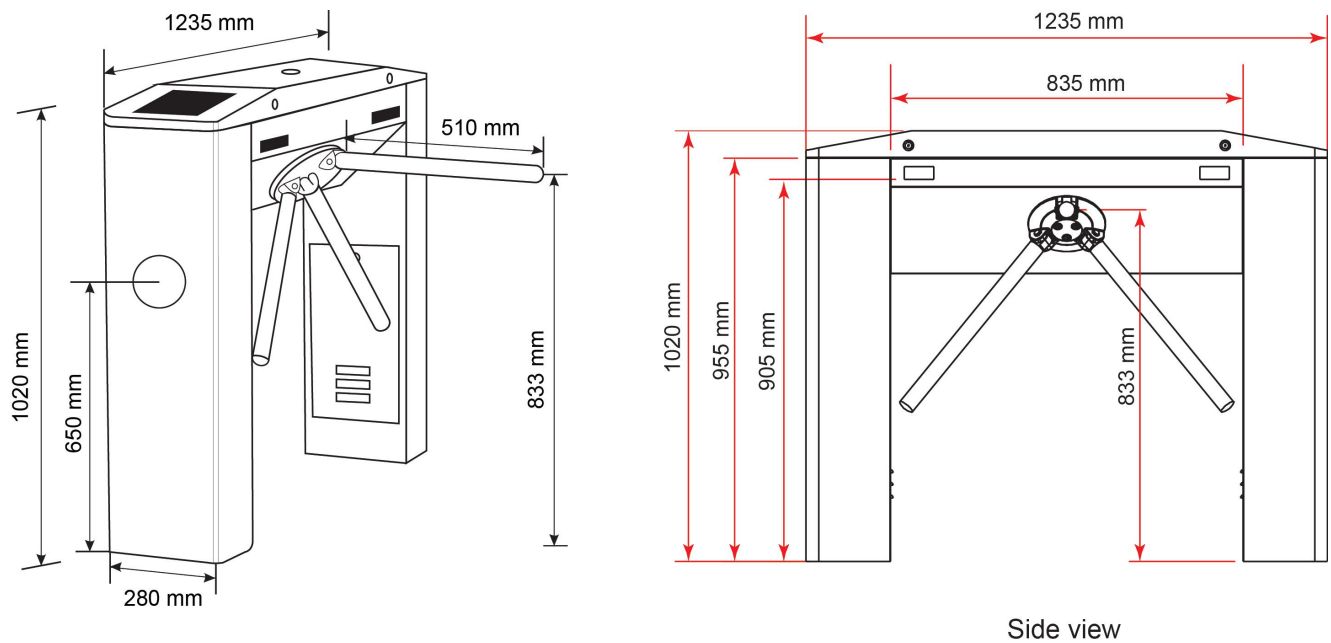
#### Emergency Recovery

During power failure, arm will drop down automatically to allow free pass through. in event or emergency such as fire alarm, arm can be manually triggered for free turning permanently to allow fast evacuation.

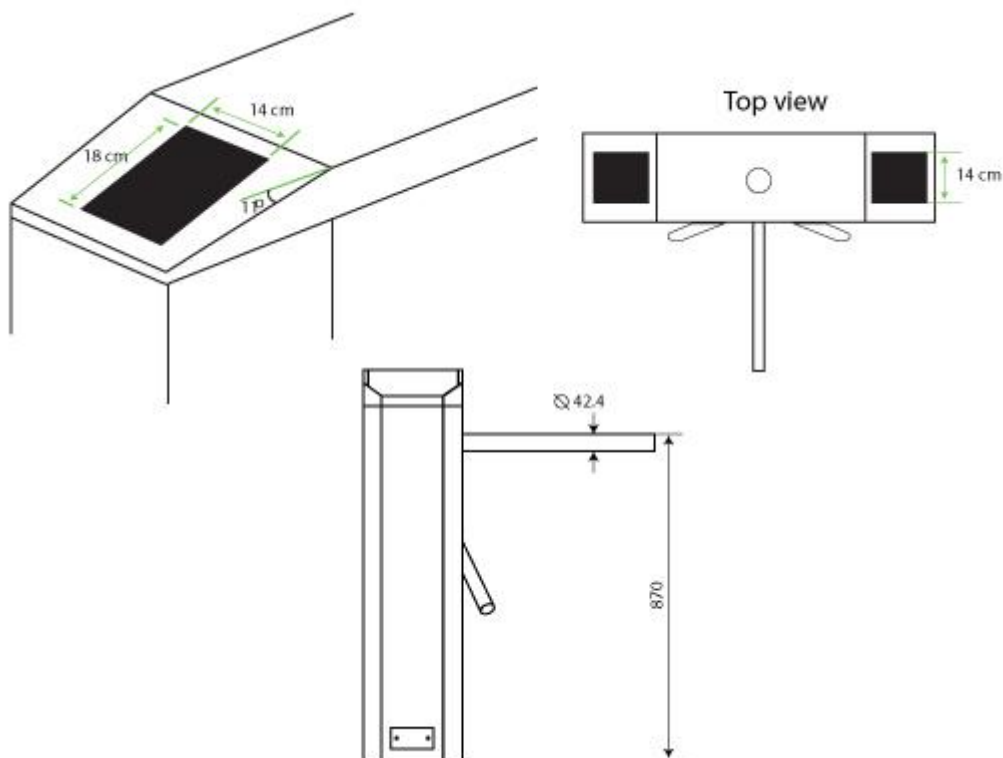
## Technical specification

Description	Parameter
Temperature	15° to 60C
Operating voltage	DC 24V
Power supply input	220V ± 10%AC , 50/60 Hz
Current consumption	5A
Humidity	0 - 95%
Optimal traffic rate	20 to 30 person per min
Motor type	Brushless DC motor
Housing	Stainless Steel 304

## Dimension Specification



Side view



## Packaging Information

Turnstile Net Weight	70 kg
Turnstile Net Dimension	123.5(L) x 28(W) x 102(H) cm
Turnstile weight with packaging box	91 kg
Turnstile dimension with packaging box	143 x 128 x 43 cm

Authorized dealer:

### Disclaimers

Applications that are described herein for any of these products are for illustrative purposes only. Drawing does not necessary reflect exact assembly/installation. MAG makes no representation or warranty that such applications will be suitable for the specified use without further testing or modification.

MAG reserves the right to make changes, without notice, in the products, including circuits, standard cells, and/or software, described or contained herein in order to improve design and/or performance. The Weight and dimension might slightly difference with product. MAG assumes no responsibility or liability for the use of any of these products, conveys no license or title under any patent, copyright, or masks work right to these products, and makes no representations or warranties that these products are free from patent, copyright, or mask work right infringement, unless otherwise specified.

© MAG. All rights reserved. Date released: 19 December 2014