

SWB-RL

Stainless steel railing



Date : 11 May 2016



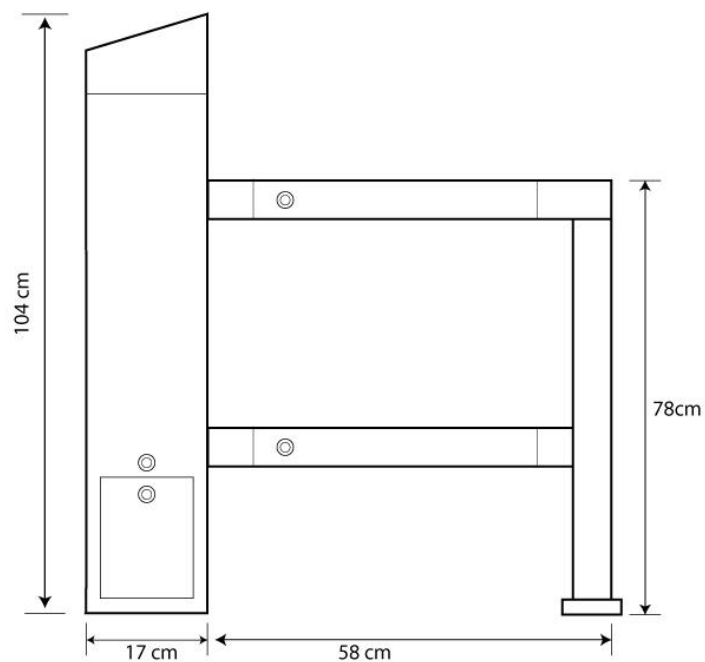
Introduction:

SWB_RL is a stainless steel railing add on for SWB100 swing barrier. This modular design concept makes it easier for transportation, installation and integration with other external devices.

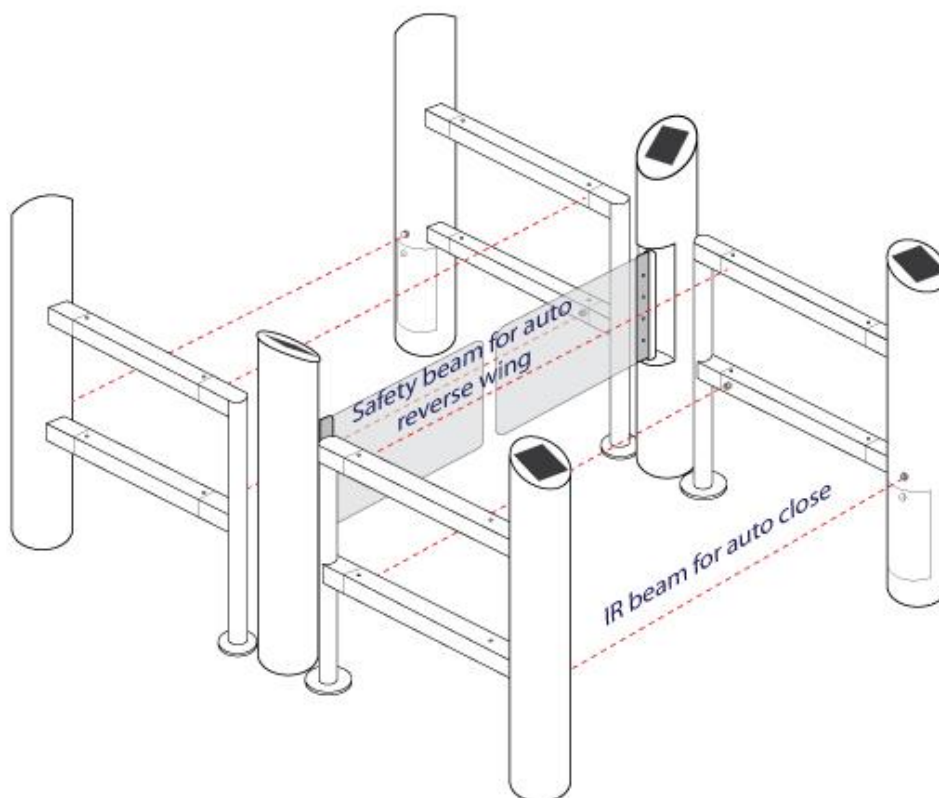
Features:

- Space to install external controller and RFID reader
- Build in IR sensor to auto close, and safety auto reverse function on SWB100 swing barrier
- Modular concept for easy transportation and installation at site

Dimension:



Installation Layout :



Ordering Information:

Model Name	Description
SWB_RL	Stainless steel railing

Packaging Information:

Weight	1.6 Kg
Dimension	46cm x 21cm x 26cm

Authorized Dealer:

MAG COPYRIGHT 8 16 Dec 2014. This documentation served as a reference only. It is subject to change without further notice. All the diagrams and information in this documentation may not be duplicated or modified in any form without the written approval from the management.