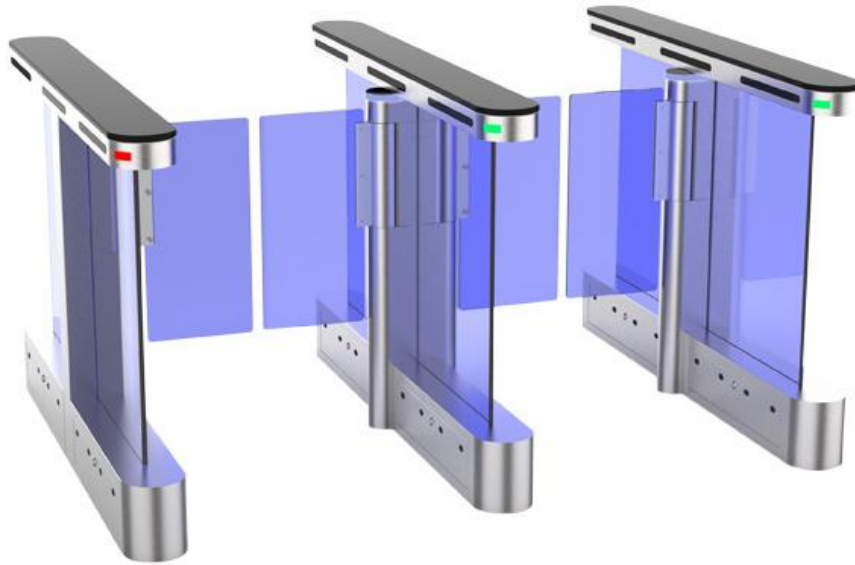


**SWB310 Automatic Fast Speed Swing Barrier**

WWW.MAG.COM.MY

**Description**

MAG SWB310 is designed to be the slimmest of all pedestrian gates. Its slim form factor saves space and allows you to install more gates to handle higher traffic. Its stylish design elevates the premium atmosphere of any building lobby. A high-speed motor is used to achieve a faster pass-through rate. SWB310 offers a wide and full clearance opening to allow pedestrians with luggage to pass through comfortably.

**Application**

MAG SWB310 is suitable for indoor applications only. It is NOT suitable for outdoor installation. They are optimized for higher traffic solutions with a stylish design to elevate the premium atmosphere of any building lobby.

**Features**

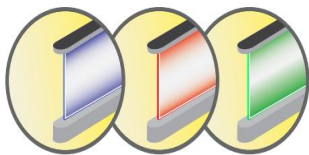
- ✓ **Minimum Maintenance**, Use the latest brushless DC motor with precision technology and improved gears that eliminate the need for changing carbon brushes, thus reducing maintenance work.
- ✓ **Double safety**, The door will automatically reverse once a safety IR sensor detects an obstacle or when a small force is detected blocking its motion. This prevents injury caused by the door hitting people.
- ✓ **Multiple access memory**. If three people flash their cards, the gate will count three people to pass through before closing the door.
- ✓ **Emergency evacuation**, During a power failure, the door panel will open automatically to allow free passage. In the event of an emergency such as a fire alarm, the swing barrier can be manually triggered to open permanently to allow for fast evacuation.
- ✓ **Elegant Design**, Its slim form factor, premium stainless steel and glass panel material with an elegant arc design effectively help create a welcoming and elegant, prestigious atmosphere at the building entrance to impress your visitors.
- ✓ **Alarm notification**, A high-performance IR sensor is used to detect potential attempts of tailgating, illegal passing, and pass-through direction.
  - a) Detect a second person tailgating behind the first person at a minimum 10 cm distance coming from the same direction.
  - b) Detect a second person coming from the opposite direction.
  - c) Detect if the first person did not flash their card and attempt to go in.

## Technical Parameters

| Description                   | Parameters                                  |
|-------------------------------|---|
| Body Material                 | Acrylic Glass, SS304 Stainless Steel, 1.5mm |
| Door Dimension (Single Panel) | 275mm(W) x 560mm(H)                         |
| Door opening / closing speed  | Programmable 0.4 to 1.5 sec                 |
| Optimal flow rate             | 20 to 25 people per minute                  |
| Power supply                  | AC220/110V±10%, 50/60Hz                     |
| Power Consumption             | 40W   |
| Motor                         | DC Brushless Motor, 140W/24V                |
| Input Connection              | Dry contact pulse > 500ms                   |
| Working environment           | Indoor only                                 |
| Working Temperature           | -15°C - 60°C                                |
| Relative Humidity             | ≤ 90%                                       |
| Passage Width                 | 600mm                                       |
| Gate Door Material            | 12mm acrylic                                |
| Cabinet Dimension             | 1400(L) x 1010(W) x 980(H) mm               |
| IP Rating                     | IP 52                                       |

## LED Information

### Special effect

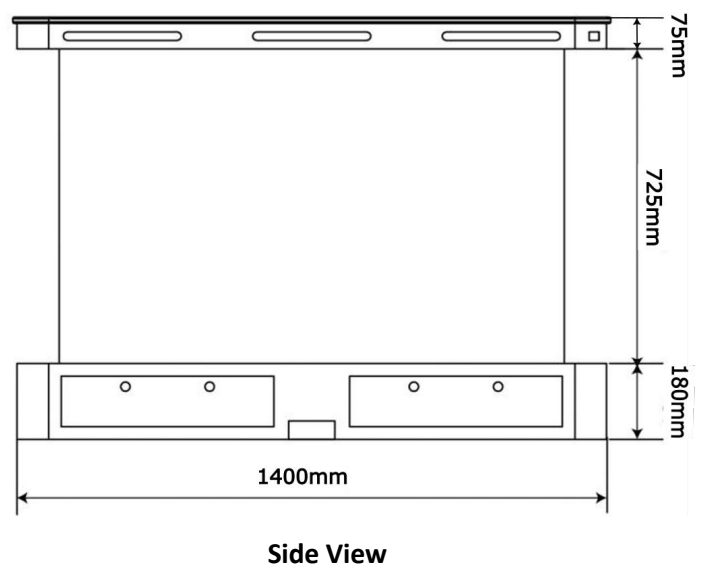
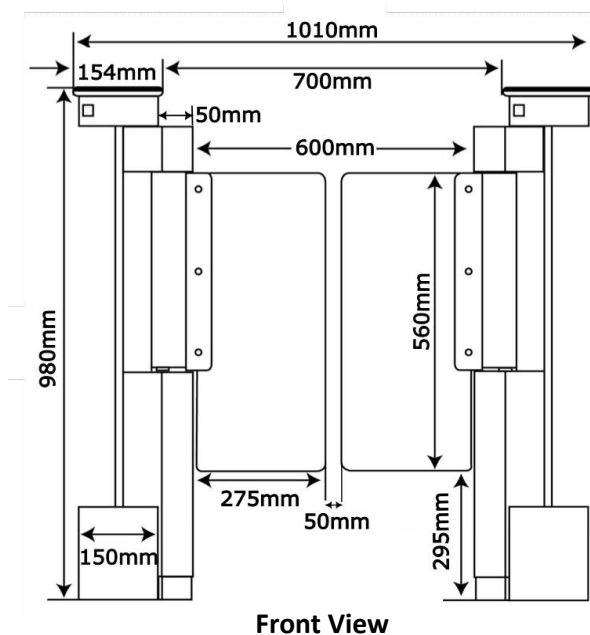


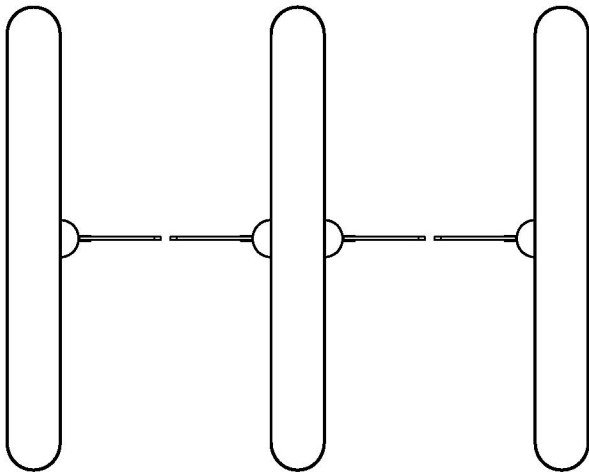
**Blue** light to indicate standby.

**Red** light to indicate alarm (invalid entry).

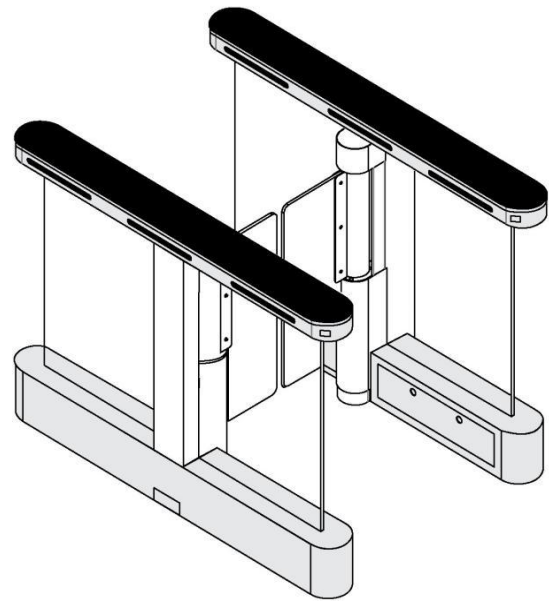
**Green** light to indicate valid entry.

## Dimension



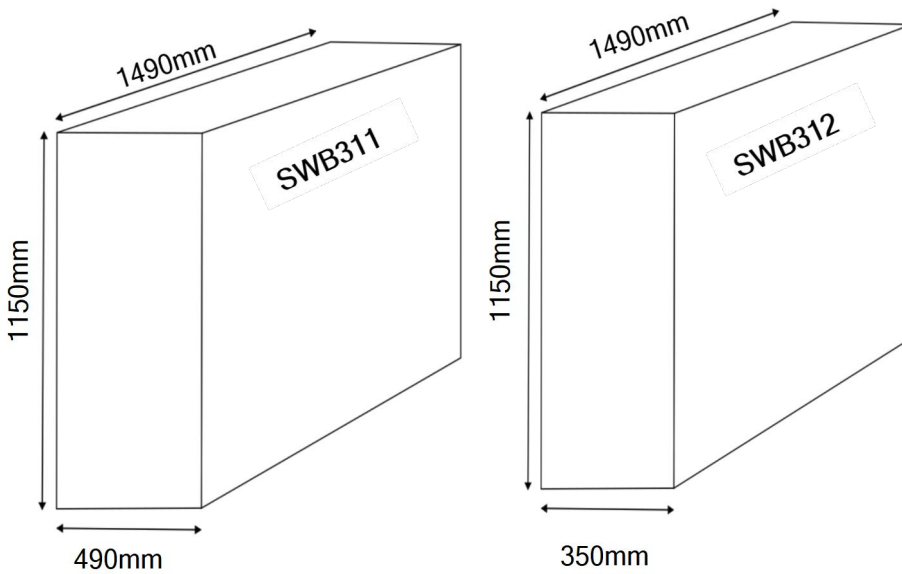


Top View



Actual View

### Packaging information



| Model  | Dimension Box                       |
|--|-------------------------------------|
| SWB311<br>(Single Side)<br>(2 Nos in 1<br>Box) | 490 (W) x 1490 (L)<br>x 1150 (H) mm |
| SWB312<br>(Dual Side)                          | 350 (W) x 1490 (L)<br>x 1150 (H) mm |

\*Product performances is based on testing in a controlled environment. Your result may vary due to several external and environment factors.

© COPYRIGHT 2023. This documentation served as a reference only. It is subject to change without further notice. All the diagrams and information in this documentation may not be duplicated or modified in any form without the written approval from the management.

© 2023 SP MAG SWB310

