



**SWB103**

## **Widest opening with smallest size**

### **DC Brushless Tubular Swing Barrier**

SWB103 is an automatic motorized DC brushless tubular swing barrier. Swing barrier has smallest installation footprint while offering widest opening clearance to allow big boxes, trolley, wheelchair, baby stroller or user with big luggage to pass through with comfort.

SWB103 compact size and tubular shape allow it to easily fit into places with very limited space. Access control and time attendance reader can be integrated into top cover.

SWB103 design is simplified to achieve optimum function at more affordable cost. Control system mechanism is modular for easy maintenance servicing and part replacement.

SWB103 is typically used together with flap barrier or turnstile as manual lane for handicapped user in building lobby. Ideal for low traffic and light duty site that requires more affordable solution.

## Features

### 1 More durable and long lasting

The new upgraded DC brushless motor able to with stand the heavy people traffic flow because of its high power at low speeds. It reduce the possibility of wear and tear, thus last longer and low maintenance.

### 2 Better accuracy

Intelligent control board with auto calibrate that provide more accurate reading to ensure the opening and closing of gate at the same position at all time.

### 3 Widest opening

Compared to tripod turnstile and flap barrier, swing barrier allow widest opening clearance. SWB103 slim form factor only take up minimum space from passage clearance space. 2 unit swing barrier can be installed on same lane to give maximum clearance 910mm (inclusive 10 mm clearance).

### 4 Customize opening

Swing barrier allow customizable opening. Arlyic gate of SWB103 can be cut short according to clearance available at site to achieve perfect fitting. Control system will auto synchronize both swing barrier installed in the same lane. Both swing barrier will open and close at the same time.

### 5 Easy integration

A push button or access control reader can be used to trigger the swing barrier to open via simple dry contact signal. After delay timer elapsed, swing barrier will automatically close back by itself.

### 6 Double safety

Optional railing with built-in IR sensor can be installed to auto reverse the gate if obstacle is detected during closing. This prevent the closing gate to hit user that is still in the lane passage. Built-in Automatic Rebound system (ARS) that will sense brute force and rebound back to original position when someone kick the door by force as vandalism attempt. This will protects door leaf and gearbox from being vandalism by brute force.

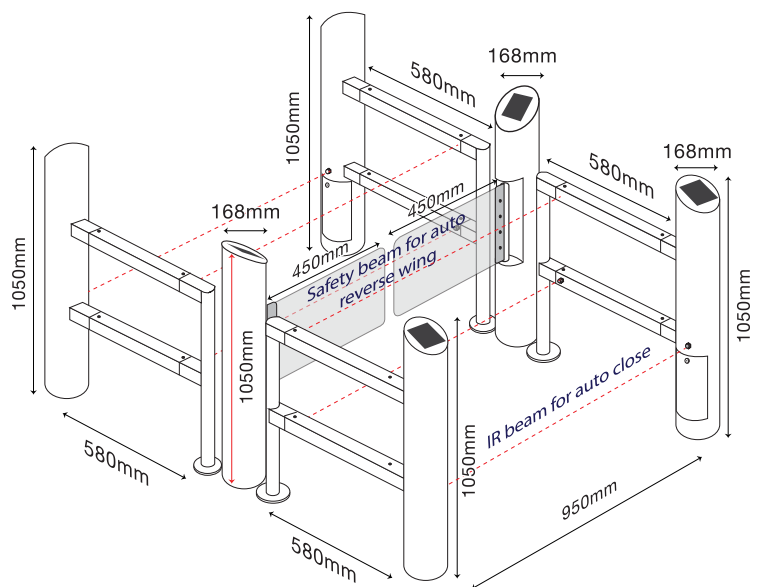
### 7 Emergency recovery

During power failure, swing barrier will automatically open for free pass through. This will fast escape in the event of emergency. When the power resume, swing barrier will automatically close back.

## Technical specification

Description	Parameters
Cabinet dimension	168mm (Diameter) x 1050mm (H)
Weight	30 kg
Default gate length (transparent arlyic)	450 mm
Cabinet material	# 304 stainless steel, 2.0 mm
Power supply	AC220 ±10%V/50 ±10%HZ
Motor voltage	DC 24V (Brushless motor)
Access device input voltage	Dry contact
Optimal flow rate	20 to 25 people per minute
Gate swing angle	90 deg per side
Gate opening speed	Programmable 0.9 - 2.8 sec
Initialization time	14 sec
Working environment	Indoor only
Working temperature	-35°C - 75°C
Relative humidity	≤ 90%
IP Rating	IP 52
Power Consumption	30W

## Dimension



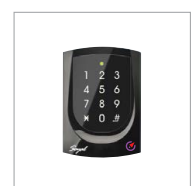
## Accessories



SWB\_RL railing with built-in IR sensor



Push Button Manual Push Button



Card Access

Authorised Dealer:

All specification, drawing and product info are subject to change without prior notice.

