

FLB140 series

Pedestrian Automatic Flap Barrier

MAG[®]

Date: 3 October 2017

General Description

MAG FLB140 series is a motorized fully automatic stainless steel pedestrian flap barrier gate that is optimized to achieve the best balance of quality, performance and affordability.

FLB140 series slim design and enhanced premium hair line polish can elevate the prestige elegant impression while still effectively restricting unauthorized visitors from your entrance.

Flap barrier can be integrated with any third party device like card reader, bar code scanner, LCD panel and even fingerprint identification device.

Application

MAG FLB140 series are suitable for indoor application only. It is **NOT** suitable to be installed outdoor or near sea side. FLB140 is optimized affordable solution for commercial office building, factory, bus station, game park, colleges and banks.

Features

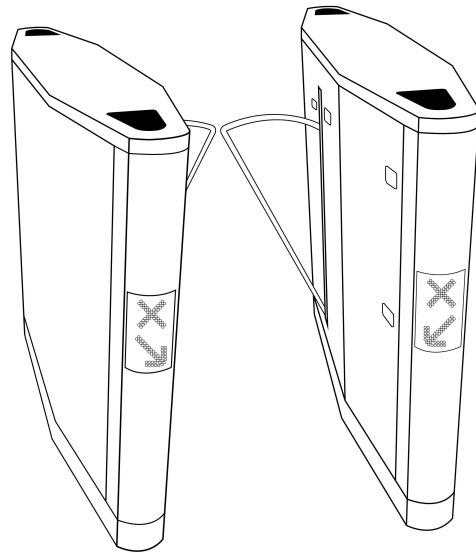
Full opening clearance. Flap wing retracted into the housing does not take up any space to achieve maximum passage clearance. This allowed user to pass through with small and medium size luggage

Safety function. By default flap wing will auto-reverse if IR sensor detected obstacle within the flap wing area. This avoid flap wing to accidentally hit onto to user. There is green light lining effect along the edge of the flap wing to ensure flap wing is easily visible.

Anti-tailgating. As a second option, flap wing can be set to pause if IR sensor detected obstacle nearby wing area during closing. Flap will resume closing once the obstacle is removed. This is to make it very difficult for following user to tail gate the first user.

Security function. If unauthorized access is detected the green light lining on acrylic wing will become red color. This is to make it easy and obvious for security guard to identify security breach at flap barrier.

Auto close timer protection. Flap will auto close if there is no pedestrian pass through after the delay time elapsed. This prevent unauthorized user from sneaking into the building.



Robust design. Flap barrier offers the most efficient opening and closing. Limited movement trajectory of flap wing reduces the possibility of damage by vandalism. Simplified control panel does not require any programming thus more stable.

Emergency evacuation. During fire alarm, access control reader can continuously hold the dry contact to trigger all flaps to open. This eliminates the need for additional wiring work for external trigger signal from fire alarm. Flap wing will automatically close back once access reader releases the dry contact. This allows access control system to immediately open the gate for fast evacuation during emergency alarm. During power failure, flaps will automatically open. Flap wing will automatically close back after power supply resumed.

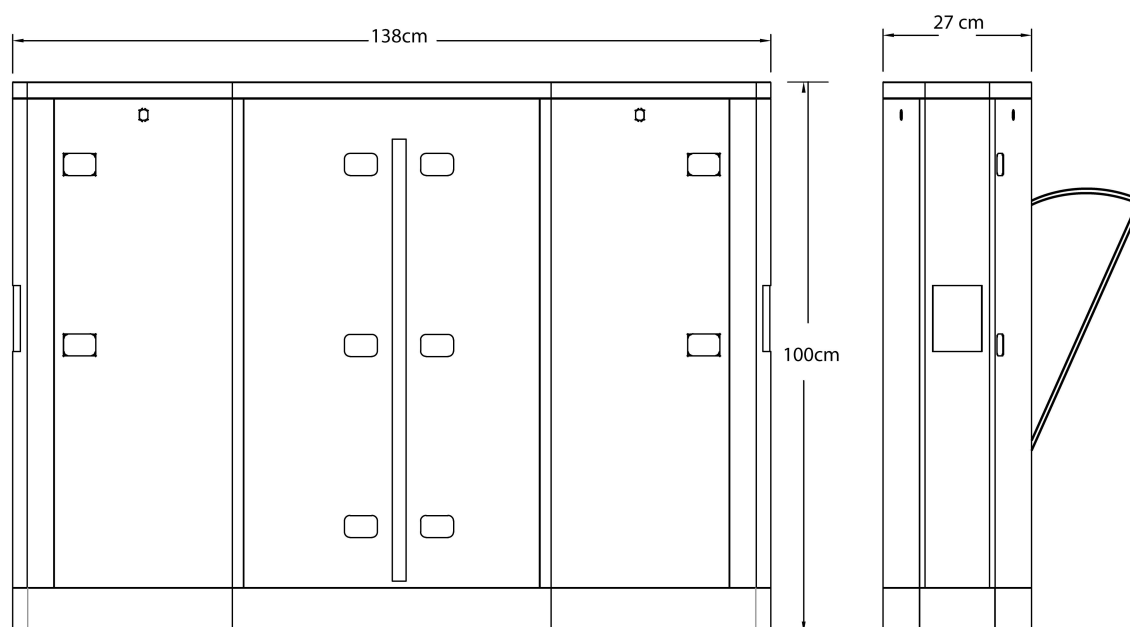
LED indicator function. Manual LED indicator light is available at both directions to indicate if the lane is available to use (green arrow) or lane is closed for maintenance (red cross).

Easy integration. Reader holder bracket is available for installing RFID reader underneath acrylic cover plate. LCD screen, bar code scanner or fingerprint reader can be installed on top of acrylic.

Technical specification

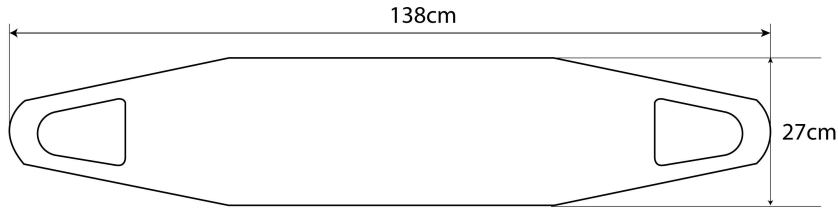
Description	Parameter
Cabinet dimension	1380 (L) x 270 (W) x 1000 (H) mm
Stretching-out flap length	275 mm
Cabinet material	# 304 stainless steel
Switching power supply	AC220±15%V 50Hz or AC110±15%V 60Hz
Motor voltage	DC 12V (brush motor)
Access control integration	<p>Dry contact (N.C) 1 sec trigger pulse to open gate. Gate automatically close back after IR sensor confirmed user exited the lane.</p> <p>Dry contact (N.C) continuously more than 3 sec to continuous open gate. Gate automatically close back after dry contact released to become N.O.</p>
Access mode	Bidirectional
Optimal flow rate	20 to 30 people per minute
Flap opening/closing time	Fastest is 0.8s. Manually adjustable by turning knob.
Reset time when power on	3s
Working environment	Indoor only
Working temperature	25°C - 50°C
Relative humidity	≤ 90%
Mean time Before failure (MTBF)	3.5millions

Dimension

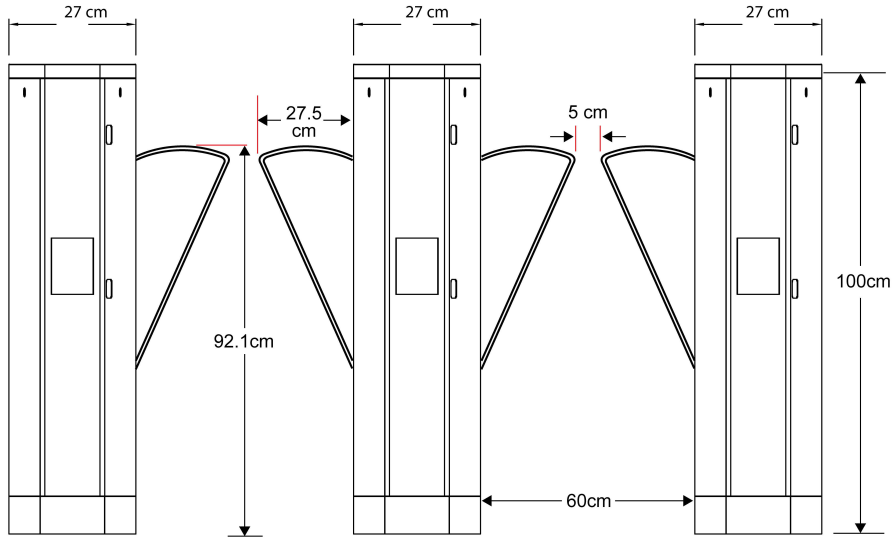


Side view

Front view

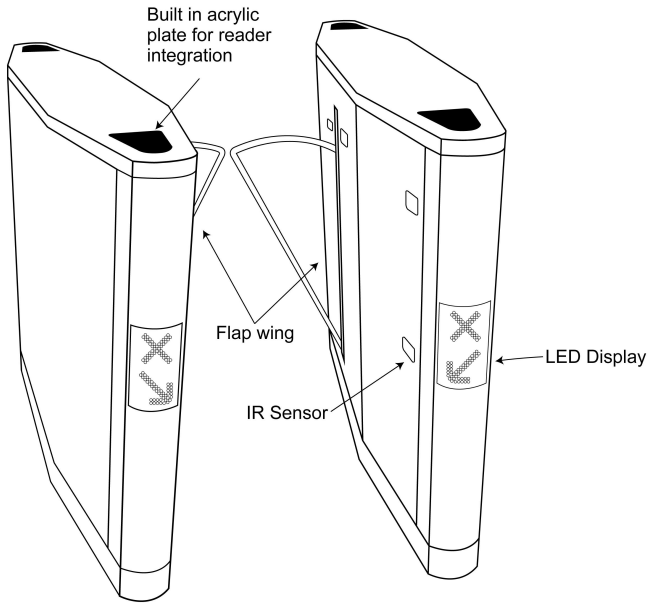


Top view

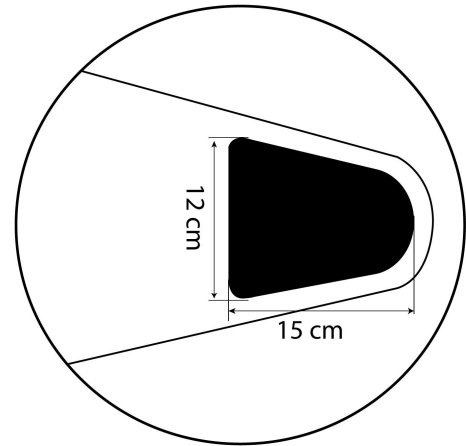


Front View

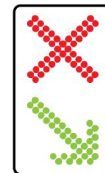
Components & Parts



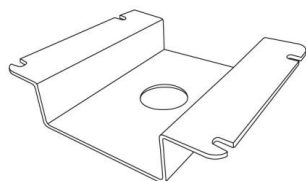
Integration area



LED Display Pattern



Accessories



Model: FLB_RDR

Reader holder bracket

Using to mount access reader for system integration.(Under acrylic plate).

Disclaimers

Applications that are described herein for any of these products are for illustrative purposes only. Drawing does not necessary reflect exact assembly/installation. MAG makes no representation or warranty that such applications will be suitable for the specified use without further testing or modification.

MAG reserves the right to make changes, without notice, in the products, including circuits, standard cells, and/or software, described or contained herein in order to improve design and/or performance. MAG assumes no responsibility or liability for the use of any of these products, conveys no license or title under any patent, copyright, or masks work right to these products, and makes no representations or warranties that these products are free from patent, copyright, or mask work right infringement, unless otherwise specified.

© MAG. All rights reserved. Date released: 3 October 2017

Ordering info

Model: FLB141
Single wing flap barrier

Model: FLB142
Double wing flap barrier