

*Automate and secure your entrance in style*



## Card collector Dropbox Model : DBX100

DBX100 is a dropbox type card collector. User can drop their visitor card into the dropbox to gain access for exit or entry. DBX100 can be integrated with any access control reader.

DBX100 slim and small profile makes it easier to be used side-by-side with other pedestrian gate and building entrance.

DBX100 design is simplified to achieve highly affordable solution for ticketing and visitor management system.



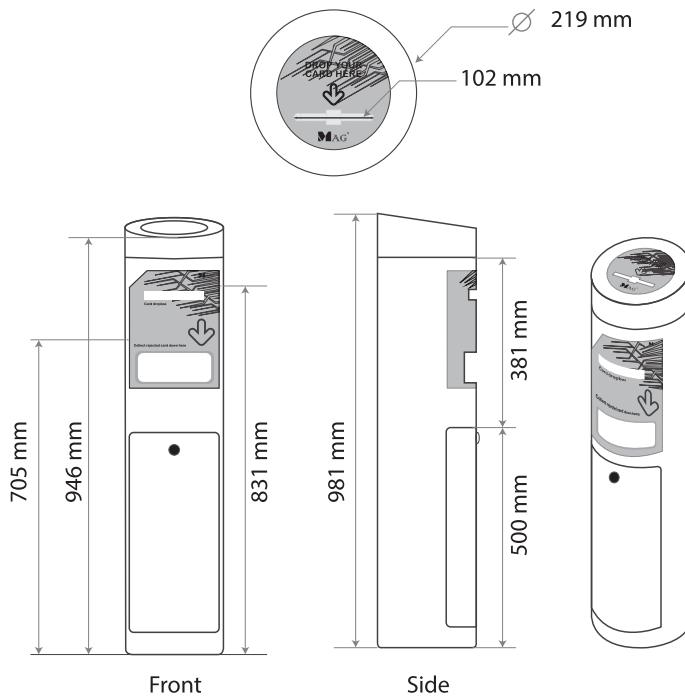
Premium  
automation



## TECHNICAL SPECIFICATION:

Description	Parameters
Power supply	DC 24V
Power consumption	24VDC, 0.01A
Idle	24VDC, 4.71- 4.74A
Operation	
Indicated light	Blue : Power On
	Green : Valid card
	Red : Dropbox fully occupied

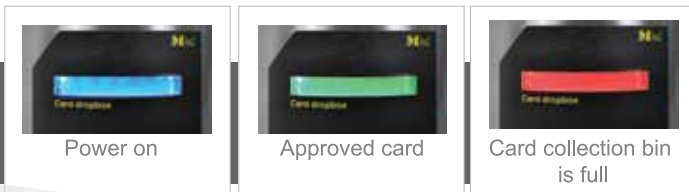
## DIMENSION:



## ORDERING INFO:

Model No	Description
DBX100	DBX100 Card Collector dropbox

## FEATURES:



ed dealer

## Feature

### 1 COLLECT CARD AND REUSE

Can support maximum card width up to 10cm. DBX100 can take in entire card with card holder and pin clip.

### 2 INTERGRATED WITH VMS & ACCESS CONTROL

Any proximity reader can be installed inside the dropbox. Access reader just needs to provide dry contact output to trigger dropbox to accept the card. Valid visitor card will be accepted into collection bin and open the gate when you integrate with your access control system. Invalid visitor card will be falls out to exit tray at front.

### 3 USER FRIENDLY & EASY OPERATION

Green light indicates the card is valid and card fall in collection box. Red light when fully occupied and the card will be rejected and falls out to exit tray in front.

### 4 EASY MAINTENANCE

Top cover can be opened by key. Entire machine core can be taken out easily for servicing or installing reader. Bottom door can be opened by key to take out collection bin once it is full. Once collection bin is full, all cards (valid/invalid) card will fall out to the exit tray. DBX100 will not accept any more cards until the collection bin is cleared.



“ Entrance is the first level of protection in building security. MAG offer complete gate automation system to secure your entrance...”