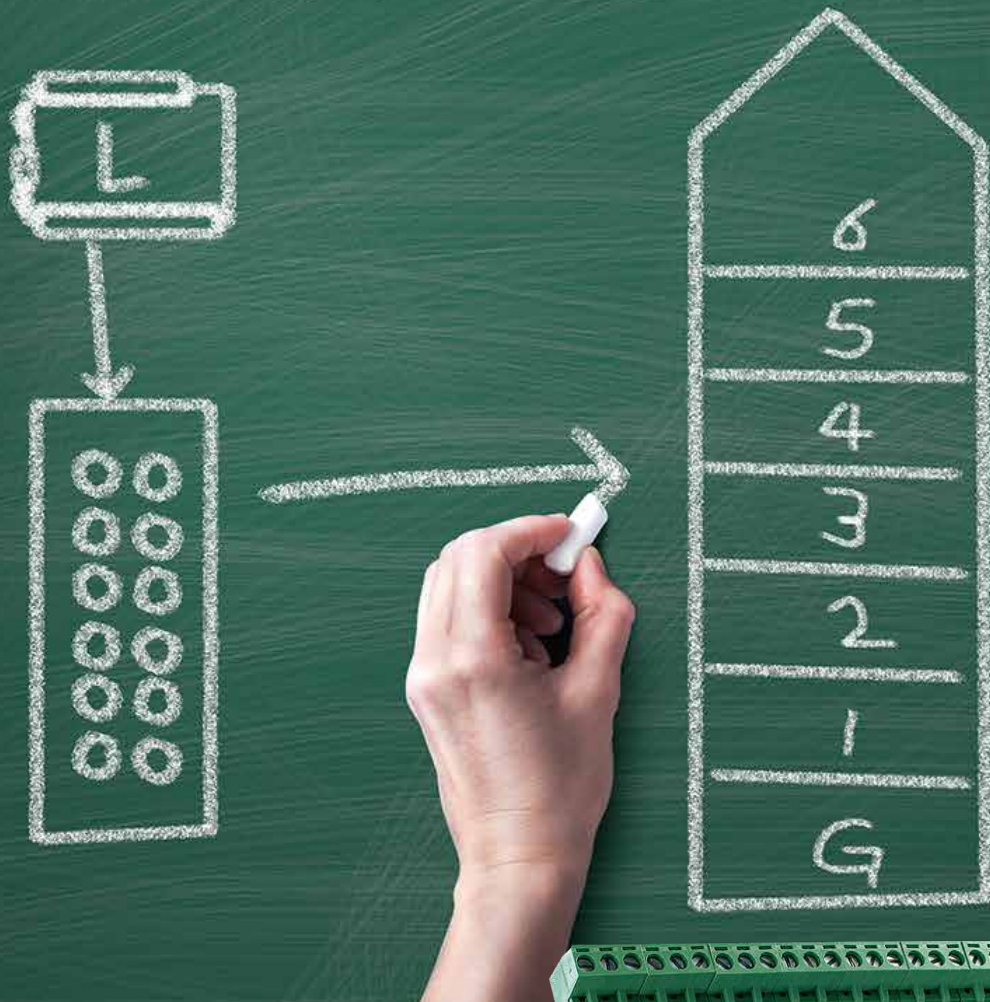
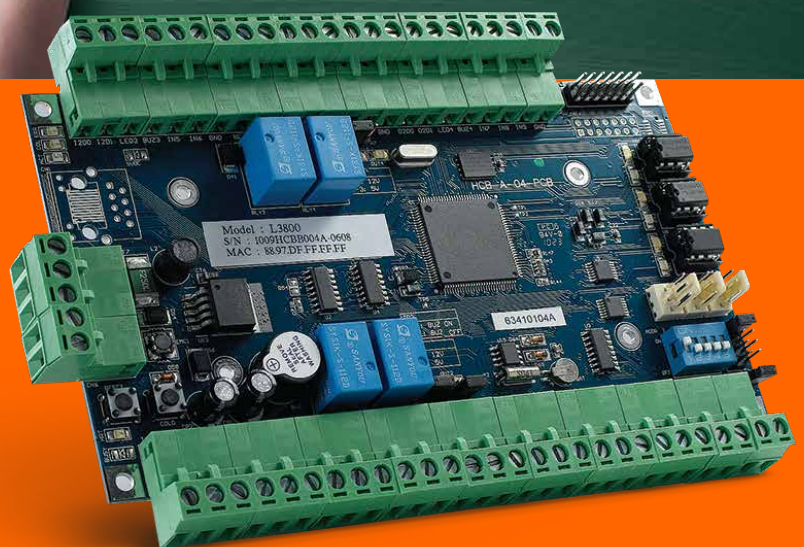


L3800

Elevator Control Panel



Our range of Entrypass control panels enable you to design floor-by-floor elevator access control to the card holders, letting you customize access level for individual card holder depending on your company policies. Depending on need, you have the power to control accessibility from 8 floors to 136 floors. What's more, you can choose to utilize the Entrypass hybrid control panel that comes with both serial and active network communication interface to cater to any installation you already have, making integration easier for you.



L3800 Elevator Control Panel



Feature Highlight

Support 8 floors by default (expendable to 136 Floors max.)

Support timezone control bypass for individual floor

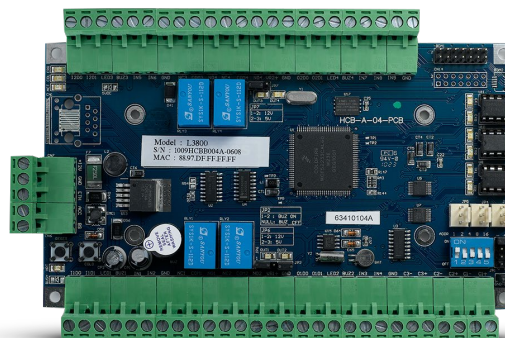
Support up to 4 readers max.

Support both RFID & biometrics readers

Emergency bypass function by software

Emergency bypass function by key Switch

Support 30,000 Users And 80,000 Event Memory



Technical Specification

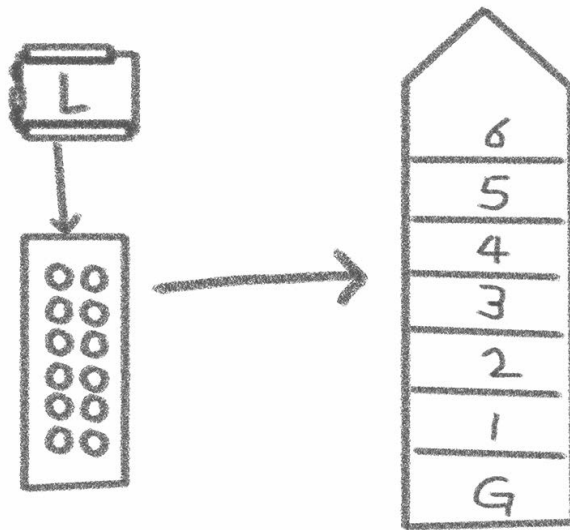
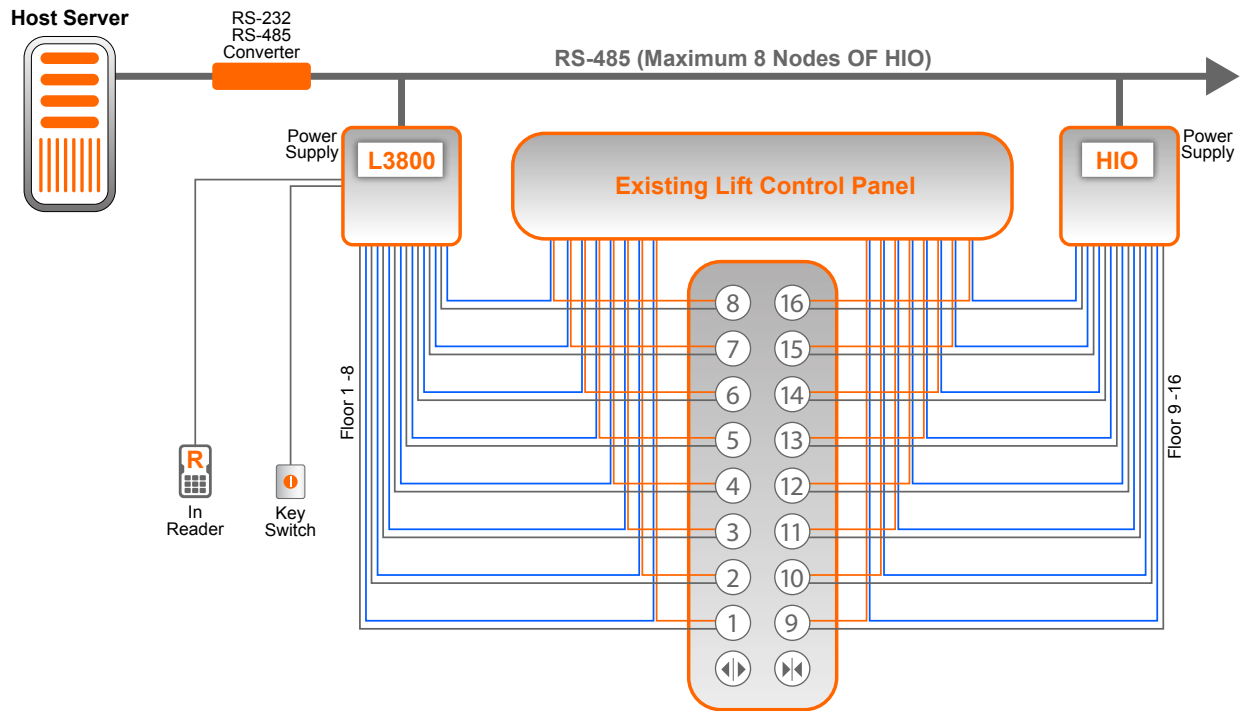
Hardware	Description
MCU	161 x 120 mm + 158 x 90 mm (HCB)
Memory	32bits @ 60MHz 256K Flash Memory 32K SRAM (Buffer)
Operating Temperature	64Mbits Non-Volatile SPI Flash Memory (Storage)
Card holder	0 °C to 40 °C
Event Transaction	30,000
Number Reader Supported	80,000
Number of IO Supported	8 (Complete with Expand Board)
Number of Floor Supported	
Onboard Real Time Clock	136
Serial Communication Port	Yes
Power Protection	RS232/RS485 User Configurable
Surge Protection	Resettable Fuse - 2.5A
Onboard LED Control	TVS - Up to 15KVA
Onboard Buzzer	Power / Communication / LAN / Event / Error
Onboard watchdog	1
AC Fail Monitoring	Yes
Battery Monitoring	Yes
External Short Circuit Protection	Yes (Firmware threshold control to shutdown control panel)
Backup Battery	At readers vYes, Apply to RTC only

Ordering Information

EP.L3800.PSU

Entrypass 4 Readers Advanced Serial Elevator Control Panel with Power Supply Unit

Basic System Diagram



Malaysia

No. 40, Jalan TPP 1/10, Taman Industri Puchong, Batu 12 Jalan Puchong, 47160 Puchong Selangor Darul Ehsan, Malaysia.
Tel : +603 8068 1929
Fax : +603 8062 6937
Email : info@entrypass.net

Singapore

No. 1, UBI View, #03-03, Focus ONE Building, Singapore 408555.
Tel : +65- 6841 7242
Fax : +65- 6841 3937
Email : info@entrypass.net

Indonesia

Jl. Raya Lodan No. 2, kompl. Ruko Lodan Centre Blok. P 10, Jakarta Utara 14430, Indonesia.
Tel : +62 21 6983 3153
Fax : +62 21 690 3005
Email : info@entrypass.net