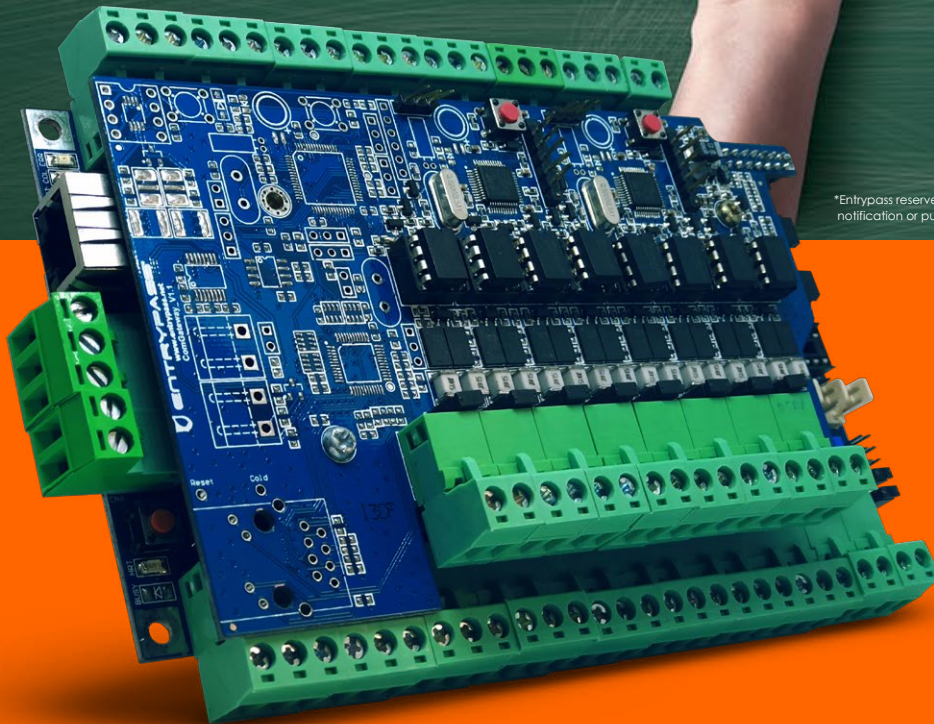


NE4800

Networked Multi-Elevator Controller

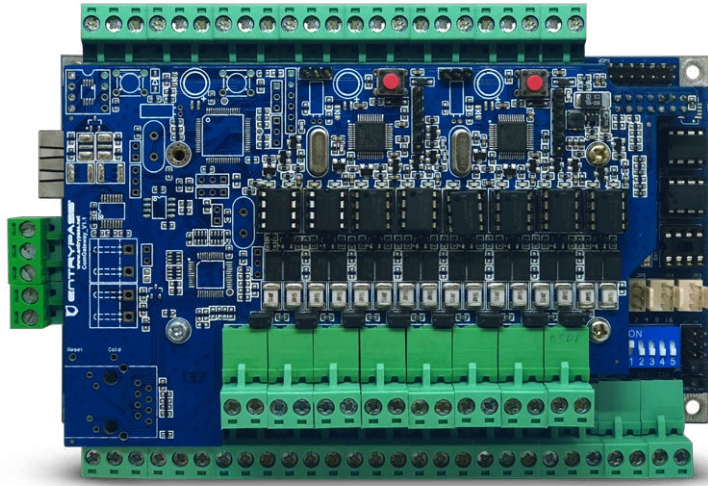


*Entrypass reserved the right to change products and specifications at any time without prior notification or public announcement.

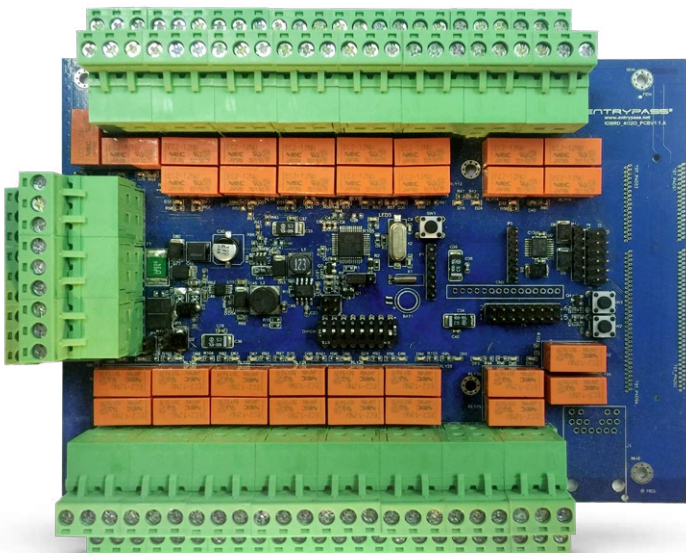
EP.NE4800 is specifically designed to increase security level of an elevator system built in high rise building such as condominium, apartment, or office building applications. Elevator Access Control systems allows authorised users to gain access to designated elevator car and floors based on their user rights granted. User rights for elevator car and floor accessibility are configurable via Entrypass Platform1 Server Professional Edition.

NE4800

Networked Multi-Elevator Controller

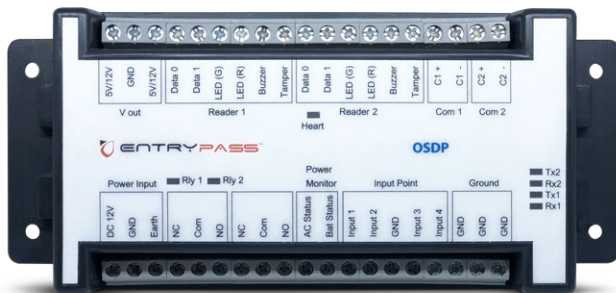


- Dynamic I/O Assignment (Reader / Output)
- Multiple Wiegand Group for various card formats
- 10 sets of Facility Code
- Support 128bits AES Encryption for communication
- Adopted standard OSDP Protocol
- Support a maximum of 30,000 card holder, 80,000 event transaction
- Support a maximum of 4 elevator cars, with each elevator serving up to 128 floors
- Support a maximum of 512 controllable floors
- Flexible I/O Partitioning



POB Passive Output Board

Expanding I/O availability, each controller control up to 32 floors, when multiple controllers connected by single daisychained line, it can forms a maximum of 128 floors control per line.



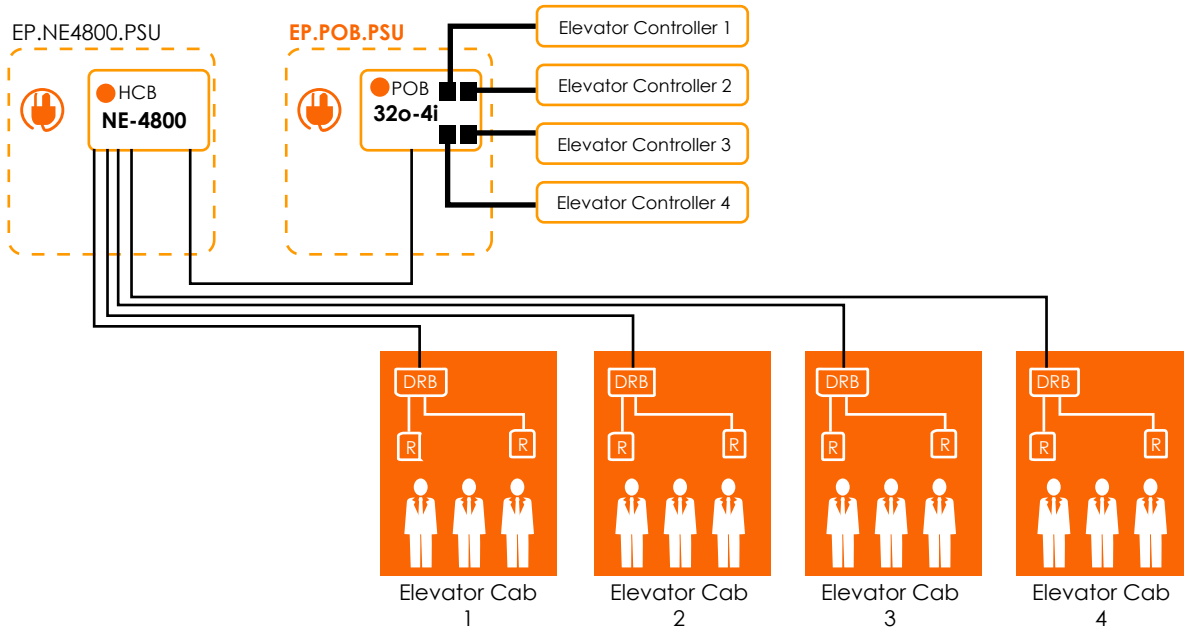
OSDP Wiegand Converter

OSDP Reader Interface, connecting up to a maximum of 2 readers.

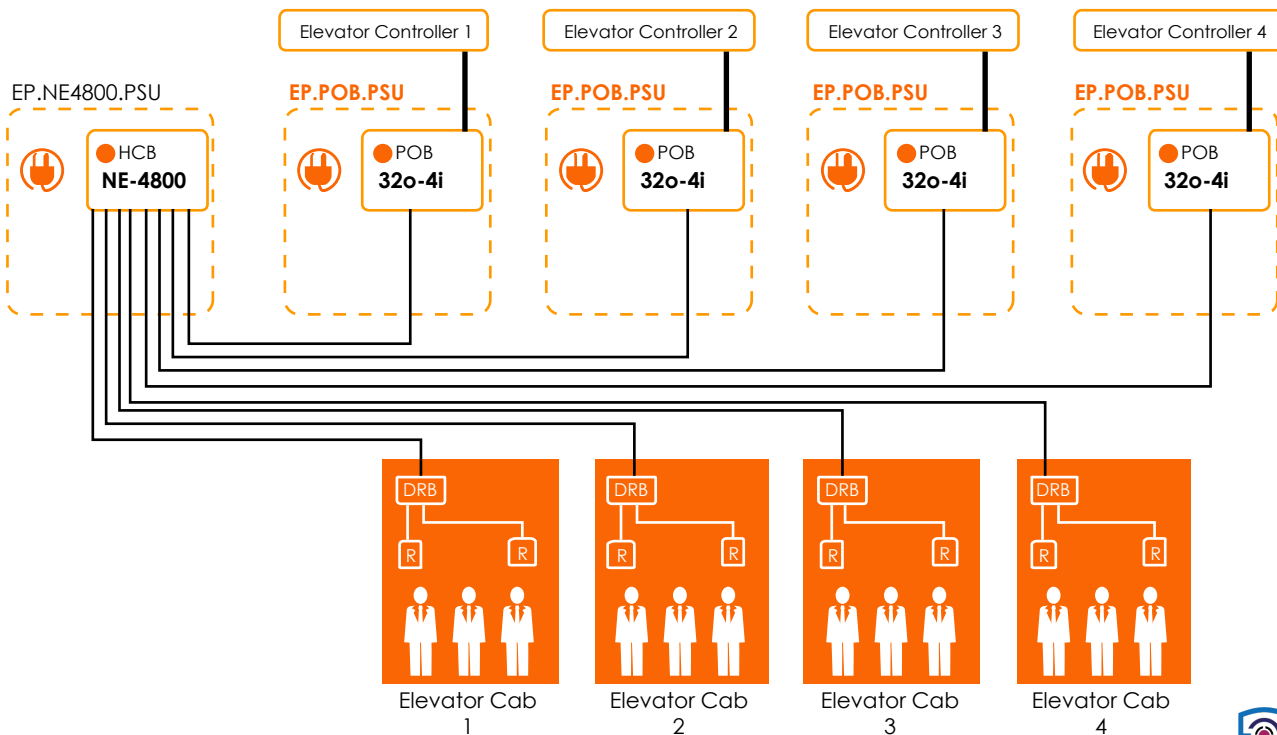


NE4800 Networked Multi-Elevator Controller

Four (4) Elevator Cabs with Single (1) Passive Output Boards



Four (4) Elevator Cabs with Four (4) Passive Output Boards



NE4800

Networked Multi-Elevator Controller

POB Hardware Specification

Specification	Description
MCU	STM32F072C8T6 Cortex M0 @ 48MHz
MCU RAM	64 KB
MCU ROM	16 KB
Operation Voltage	+12V
Max Current consumption @12V (All relays are ON)	POB(32O4I) : 410mA
Min Current consumption @12V	POB (32O4I) : 25 mA
Output type	POB: Max 32 number of SPDT type Connections
Output connection spec	Refer to Relay switching characteristic
Input type	POB (32O4I): Max 4 number of supervised inputs
Supervised Input channels bias voltage	+12V (internal pull up)
Communication ports	One Isolated and protected RS485,One CAN bus
Processing power extension	SODIMM 204 pin to support A20 core board

Ordering Information

EP.NE4800.PSU

Entrypass Networked Multi-Elevator Controller



www.entrypass.net

Malaysia

No. 40, Jalan TPP 1/10, Taman Industri Puchong, Batu 12 Jalan Puchong, 47160 Puchong Selangor Darul Ehsan, Malaysia.
Tel : +603 8068 1929
Fax : +603 8062 6937
Email : info@entrypass.net

Singapore

No. 1, UBI View, #03-03, Focus ONE Building, Singapore 408555.
Tel : +65- 6841 7242
Fax : +65- 6841 3937
Email : info@entrypass.net

Indonesia

Rukan Puri Mutiara, Block BF No.17, Jln Griya Utama, Sunter Agung, Jakarta Utara, 14350, Indonesia.
Tel : +62 21 2937 6098
Email : indonesia@entrypass.net