



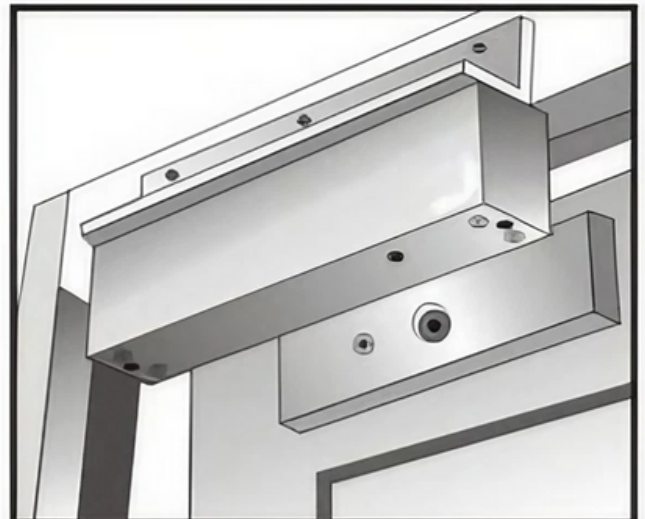
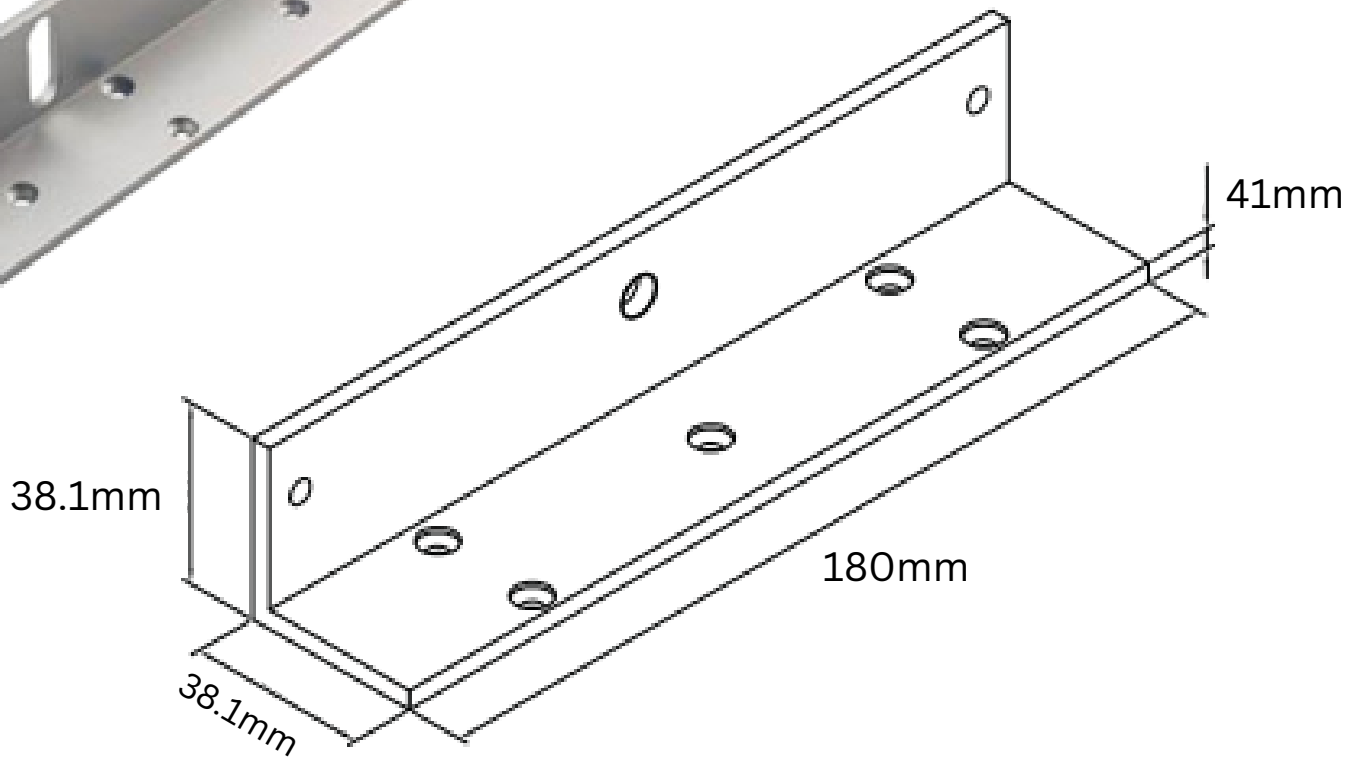
DOOR ACCESS ACCESSORIES



BRACKET

LS600

- For sliding door application
- Bracket for 600lbs electromagnetic lock



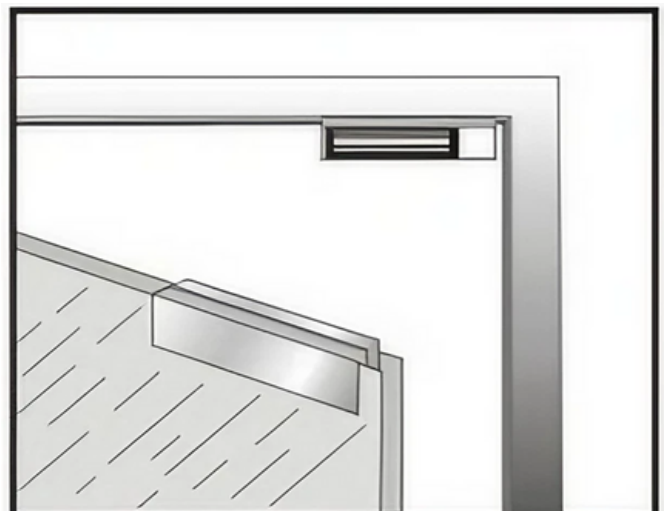
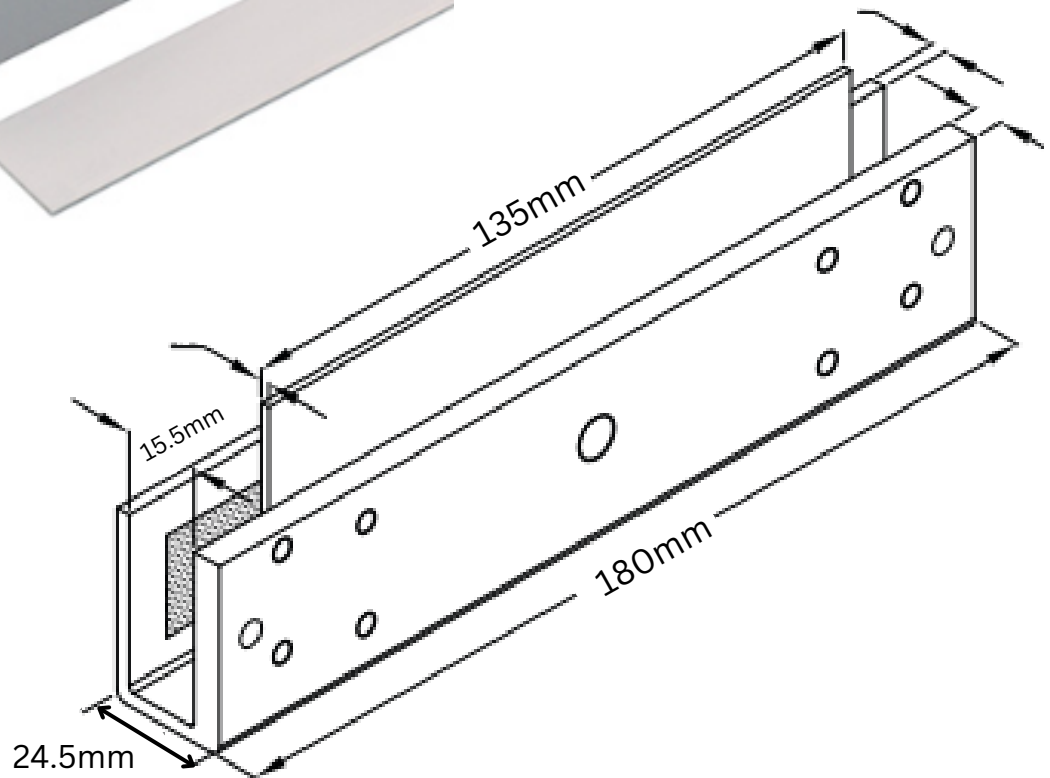
Installation Method

BRACKET



U1-600

- For frameless glass door
- One-side Swing only
- With protect plating and rubber plate

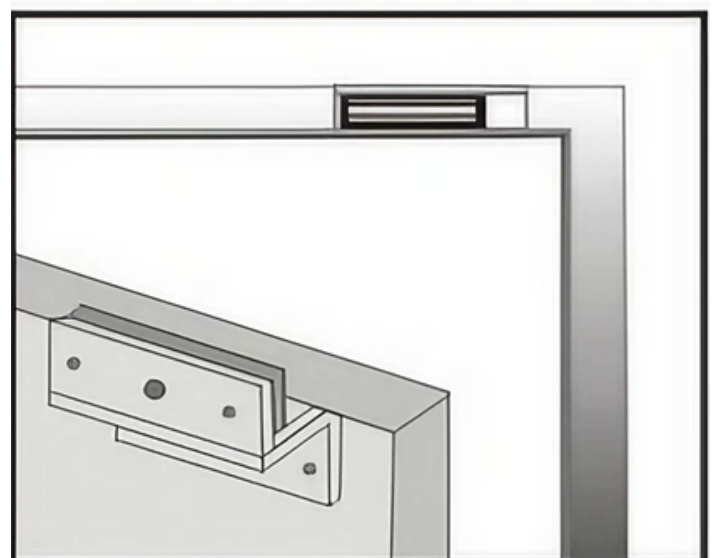
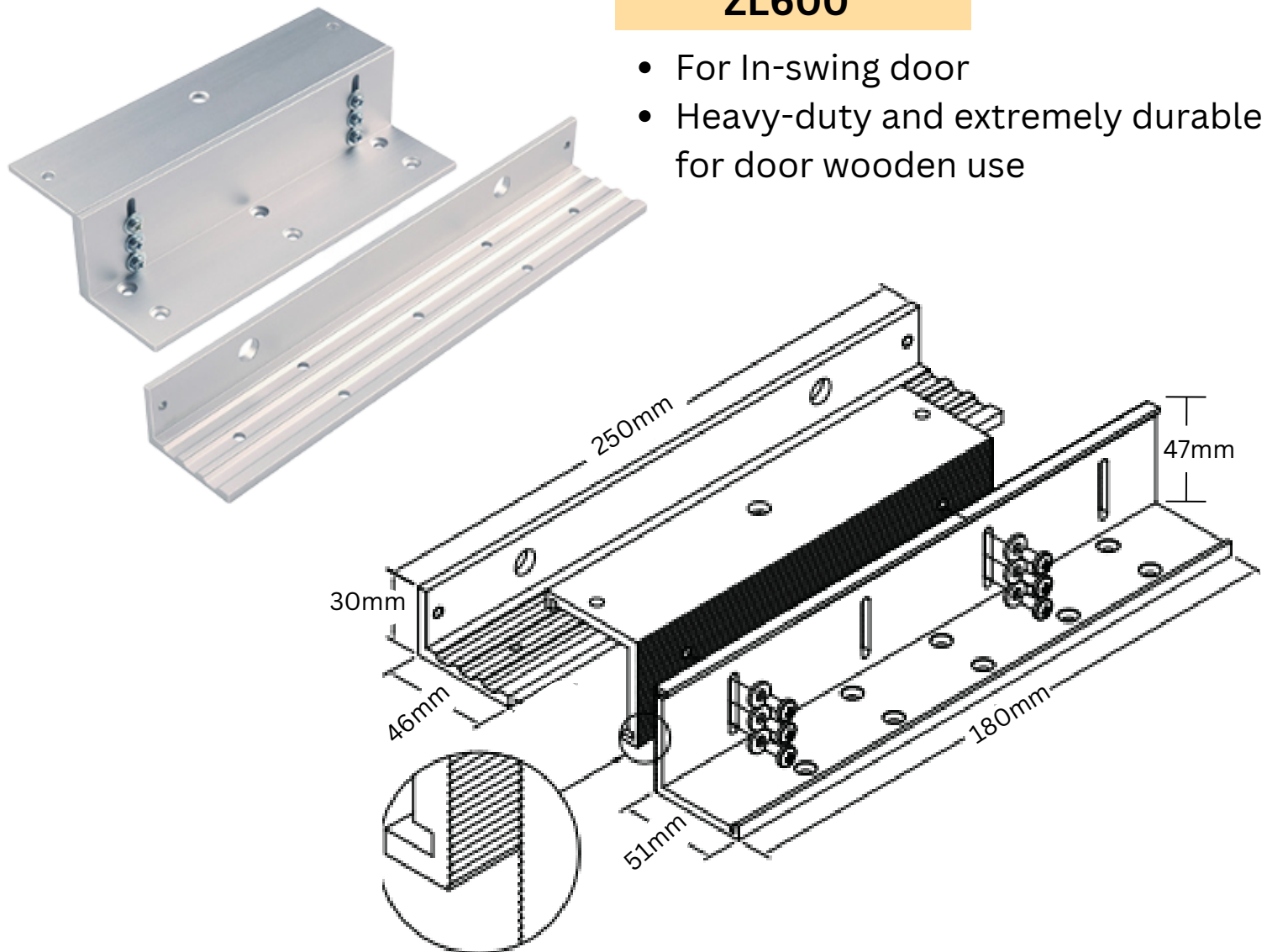


Installation Method

BRACKET

ZL600

- For In-swing door
- Heavy-duty and extremely durable for door wooden use

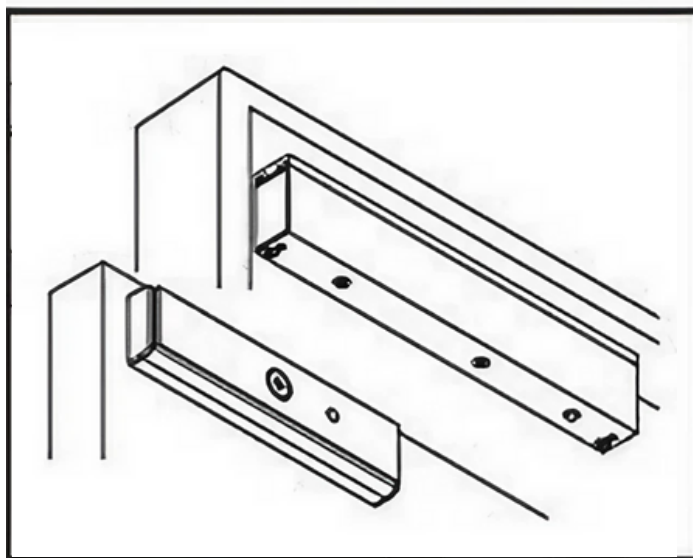
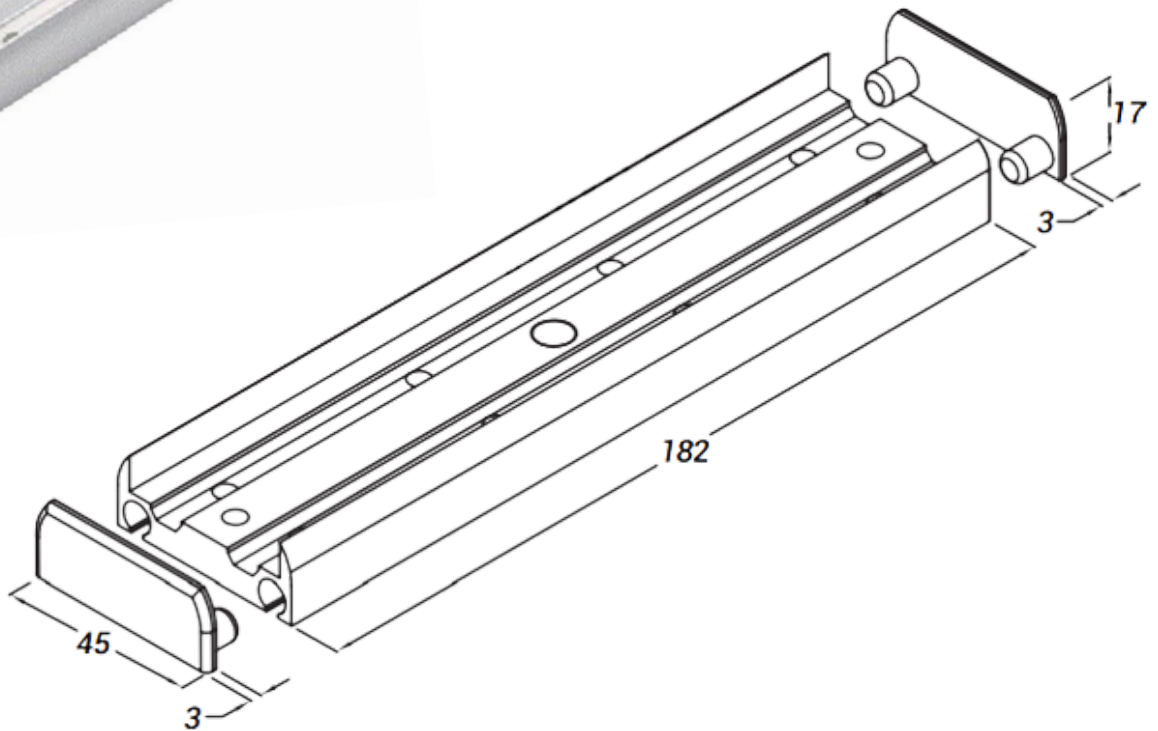


Installation Method

BRACKET

AH600

- For fire door application

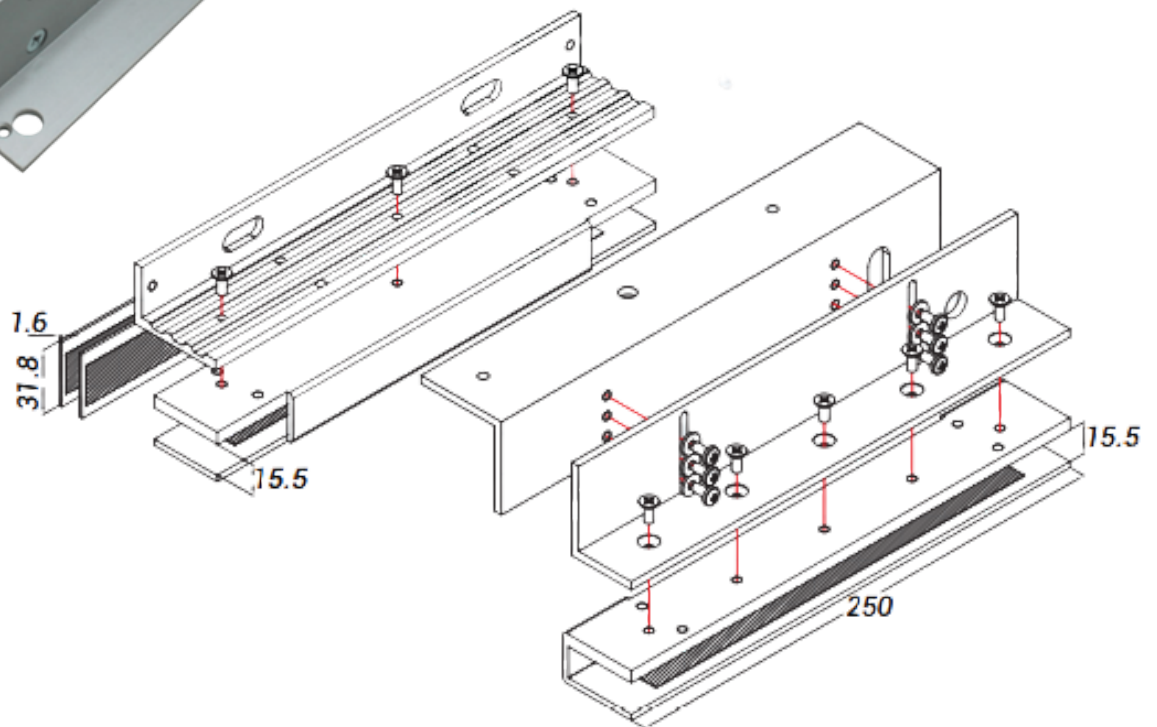


Installation Method

BRACKET

DSU600

- For frameless glass door
- With protect plating and rubber plate

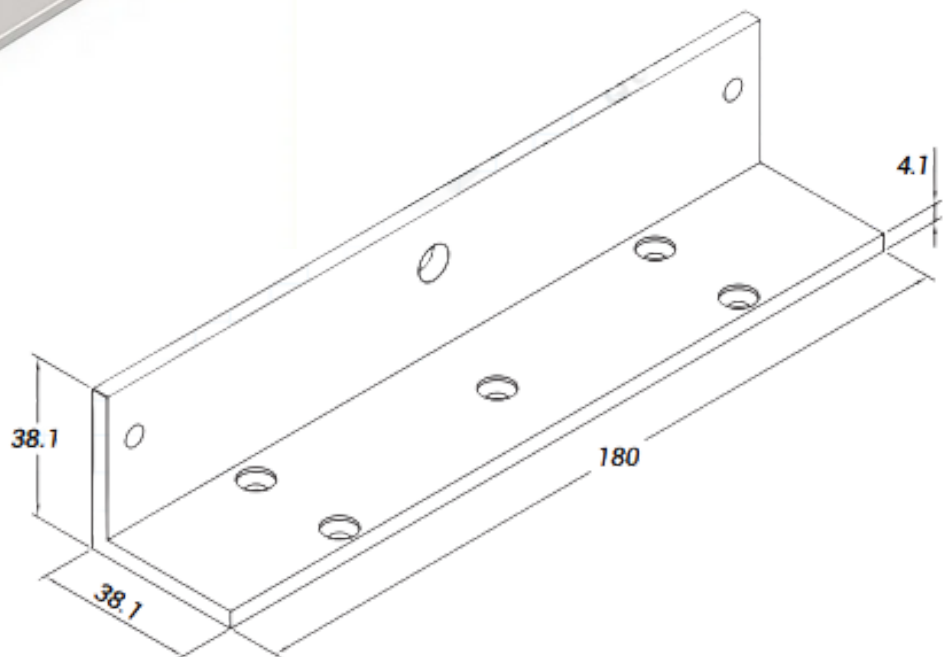


Installation Method

BRACKET

L1-600

- For sliding door application
- Bracket for 600lbs electromagnetic lock



ACCESS CARD & TAG



DPC001

1.8MM Thickness
EM Proximity Card
with Serial Number
(125KHZ)



DPC002

0.76MM Thickness
EM Proximity Card
with Serial Number
(125KHZ)



PX-MF

0.84MM Thickness
Mifare Card
with Serial Number
(13.56MHZ)



DPT001

EM (RFID)
Proximity Keyfob Tag
with Serial Number
(125KHZ)



DPT002

Mifare (IC)
Keyfob Tag
with Serial Number
(13.56MHZ)



ZKLT E

ZKTECO ID Location Tag
For Guard Tour Monitoring
system
(EM 125KHZ)

ACCESSORIES



DPB001

Door Exit Button
with Key Logo (Big)



EXIT_PB (1 WAY)

One Way Push Button
(Big)



MS30W

DC12 /24V
Touchless Push Button



DPB002

EXIT WORD
Door Exit Button
WHITE ABS



DPB003

EMERGENCY
Door Exit Button
WHITE ABS



DDB004

Stainless Steel
Door Exit Button
4Amp@125VAC
2Amp@250VAC



KSWL/KSWP

Overriding Keyswitch
(S.Steel, Plate & Switch)



DBG005

Emergency Door Release
Breakglass (Color : Green)



APB005

Emergency Push
Button with key

ACCESSORIES



TM1

Timer Card with
Adjustable Delay 3-15 sec



TM1_PULSE RELAY

Pulse Relay with
Capacitor
(For Rim Lock Use)



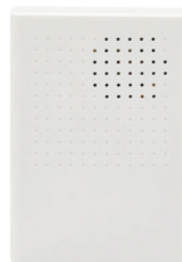
BUZZER

DC12 V
Wire Type Buzzer



DOUBLE POLE RELAY

DC12V relay switch
with socket base



DDB003

12VDC Door Bell



DH-1224H

Electromagnetic Door
Holder 12/24 Volt

POWER SUPPLY



PWR-PDC12V2A

DC12V 2A
Power Adaptor



PWR-PDC12V10A

DC12V 10A
Switching Power Supply



LSR-35-12

DC12V 3A
Switching Power Supply



LSR-100-12

DC12V 8.5A
Switching Power Supply



LSR-150-12

DC12V 12.5A
Switching Power Supply



GP_BATTERY

12V 7AH
Backup Battery



P1205-B2

DC12V 5AMP
Power Supply Metal Box



P1205-B2_SET

DC12V 5AMP
Power Supply Metal Box
with Battery