

DC SLIDING GATE MOTOR

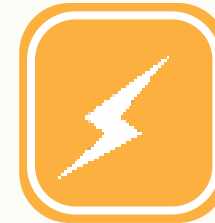
DCMOTO
DC24V AUTO-GATE DRIVER



FEATURE



Suitable for gate from 300kg - 600kg



Support backup battery in the event of power failure



DC24V for normal speed
DC12V for cushion speed



Oil bath gear motor
Motor rotation speed 3000 RPM



Less heat to support higher open / close duty cycle



Dual speed control for cushioning

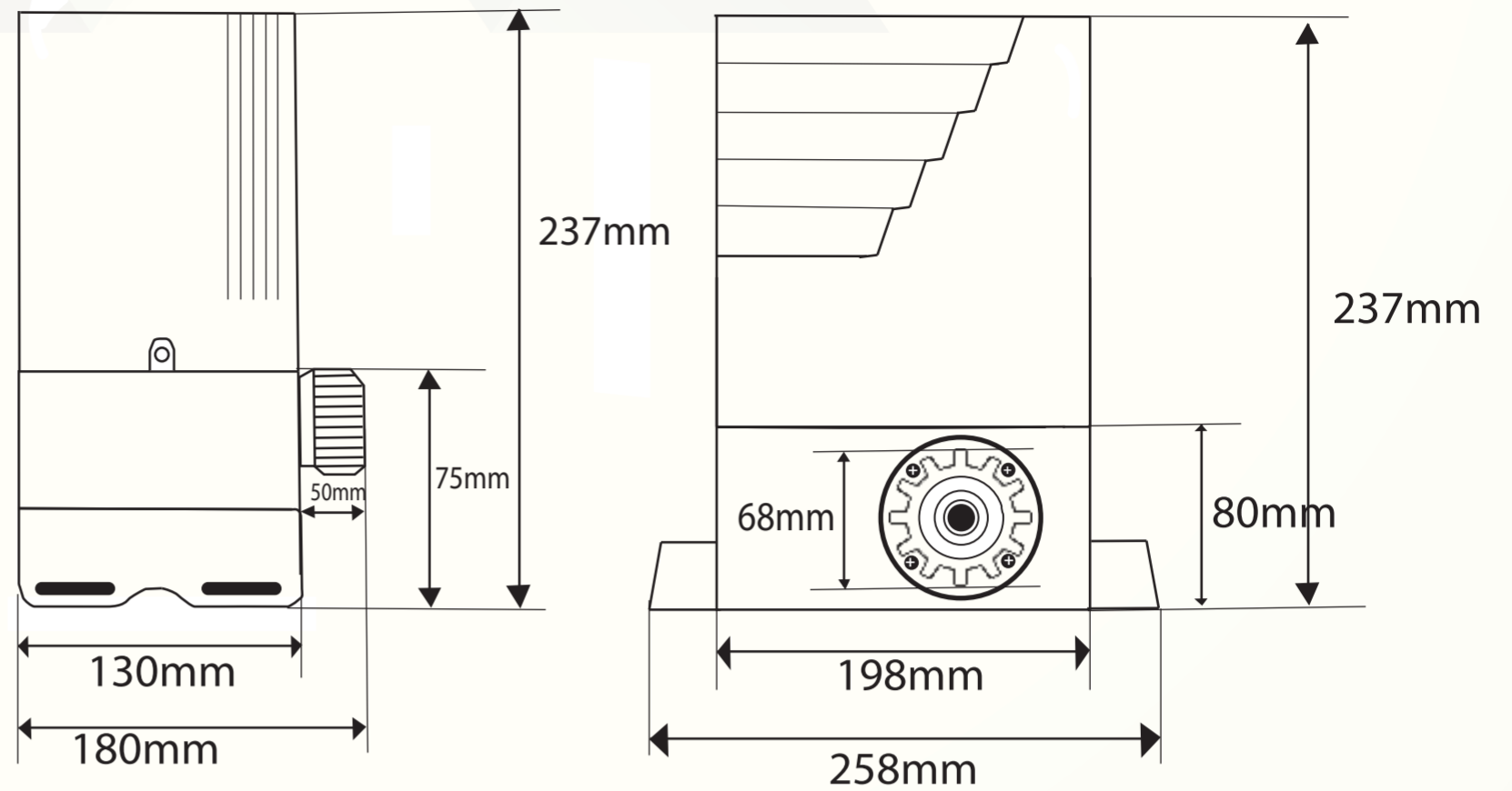


Metal driving gear with 15 teeth
Dimension : 68 mm



Support backup battery with charging during power failure

DIMENSION



SPECIFICATIONS

Operating Voltage	AC 220-240V , 50HZ
Motor Power	DC 24V for Normal Speed DC 12V for Cushion Speed
Power Consumption	150 Watts
Motor Rotation Speed	3000 RPM
Max. Weight of Gate	500 kg
Sliding Gate Speed	12m/min
Safety Clutch	Electronic Counter Technology & Auto reverse
Operation Temperature	-20°C - 80°C
Motor Type	Oil Bath Gear Motor

ACCESSORIES



DC Sliding
Sliding Type Control Panel



Remote Control set
2 Channel, 430 MHZ



Backup Battery
Backup Battery 12V 7AH



PVC Box
PVC Box (29.5 x 23 x 10.5cm)



Transformer
240V AC
Transformer



Release Key
Emergency Release
Key x 2pcs



Gear Rack x1 pack
4 meter gear rack
with screw and nuts