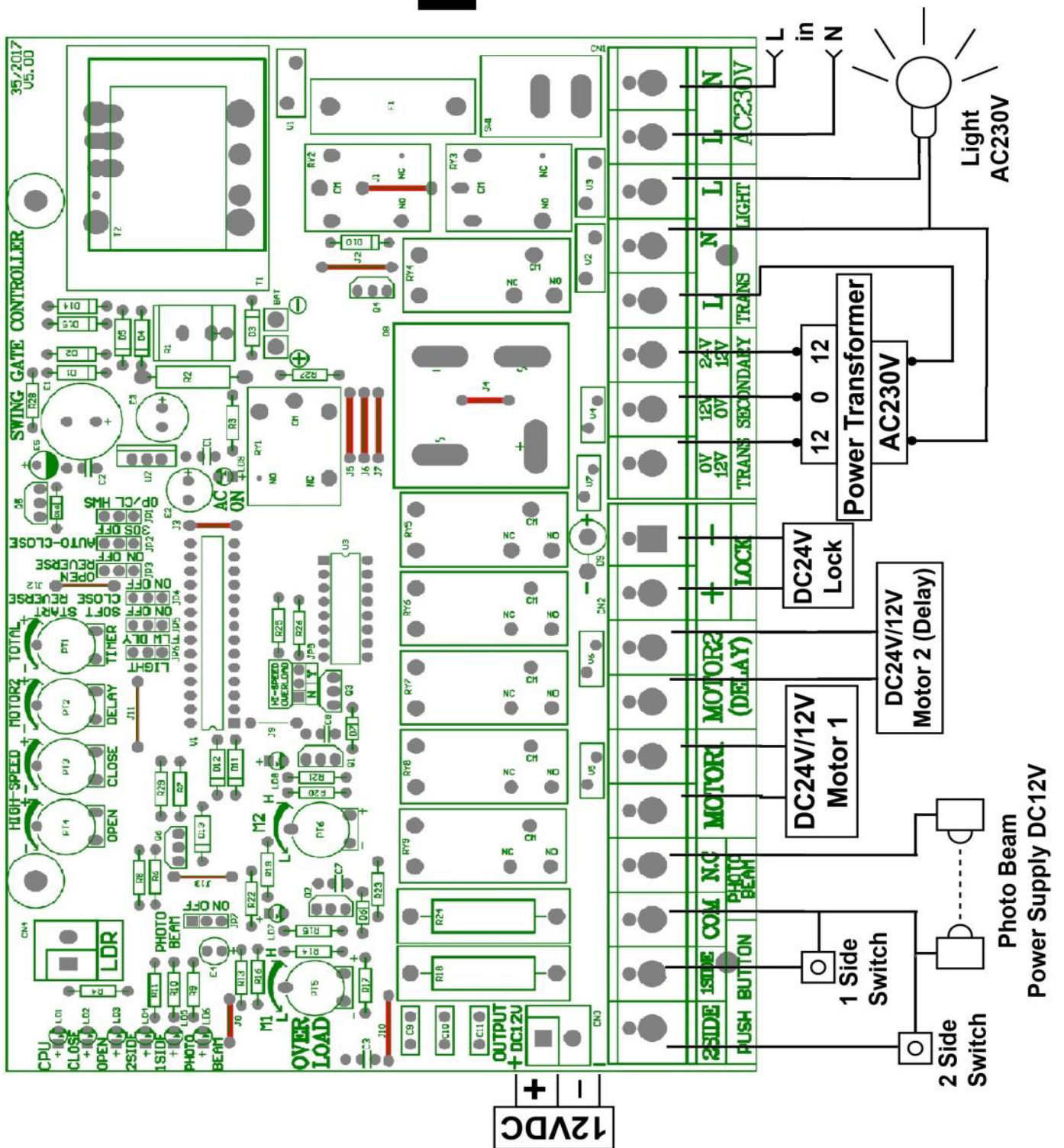


CR1 - Swing Panel Diagram



CR1 - Swing Panel Diagram

		Function options	Description	Application Notes
JP1		HWS	Open, Stop & Close	
		OP/CL	Open & Close only	
JP2	Auto Close	30 Second	Gate auto close after remained open for 30 seconds	
		Off	Select if function not required	
JP3	Open Reverse	On	Open Reverse enabled	When enabled, the movement of the gate is first reversed, then open
		Off	Open Reverse disabled	
JP4	Close Reverse	Off	Close Reverse Disabled	When enabled, a reverse voltage is provided after gate closed for 5 seconds
		On	Close Reverse Enabled	
JP5	Soft Start	On	Soft Start enabled	Firmware Run at 3speed Slow <input checked="" type="checkbox"/> Fast <input checked="" type="checkbox"/> Slow
		Off	No Soft Start function	
JP6	Light	Follow	Light status & motor movement in parallel	Light is on when motor is on, light is off when motor is stopped When gate is closed, light will be off after 30 seconds
		Delay	Light status is set to be off after a delay of 60 seconds	
JP7	Photo Beam	On	Select if Photo Beam Sensor Available	Safety feature, Gate will auto open when collision occur with Photo Beam Sensor available, & funtion on.
		Off	No Sensor available	