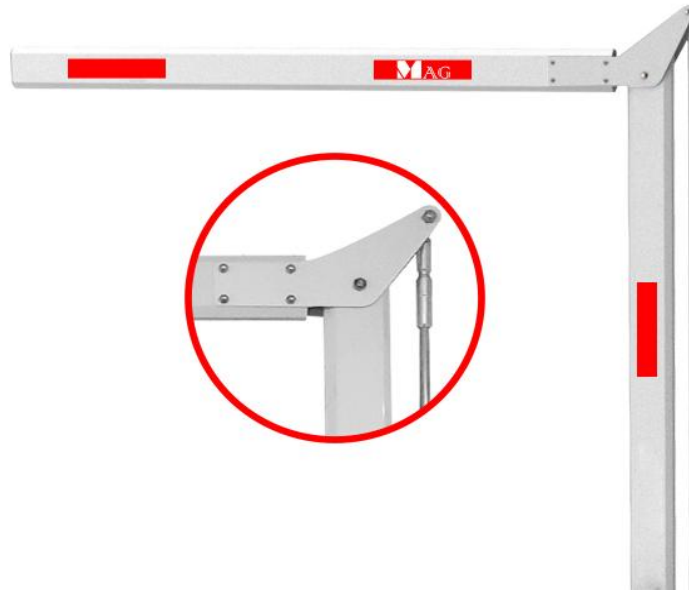


90° Degree Folding Barrier Arm
WWW.MAG.COM.MY

Description

The 90° folding arm is the best solution for low height ceiling such as basement parking and multi level parking. MAG Barrier 90° design is optimized to be highly affordable for commercial, residential and industrial application. It can save space and avoid hitting obstacles in low-ceiling or narrow areas and it can improve traffic flow and reduce congestion by opening faster than a straight arm

Application

MAG 90° Folding Arm is suitable to use on all MAG Barrier Gate Model. The standard length available is 4m and customized length is also available upon request. Arm is made of octagon aluminium hollow. Red reflective adhesive is put on to the arm alternately for better visual during night time. Suitable for the outdoor parking areas at the airport, shopping malls, warehouses, hotels, factories, condominiums, car rental companies

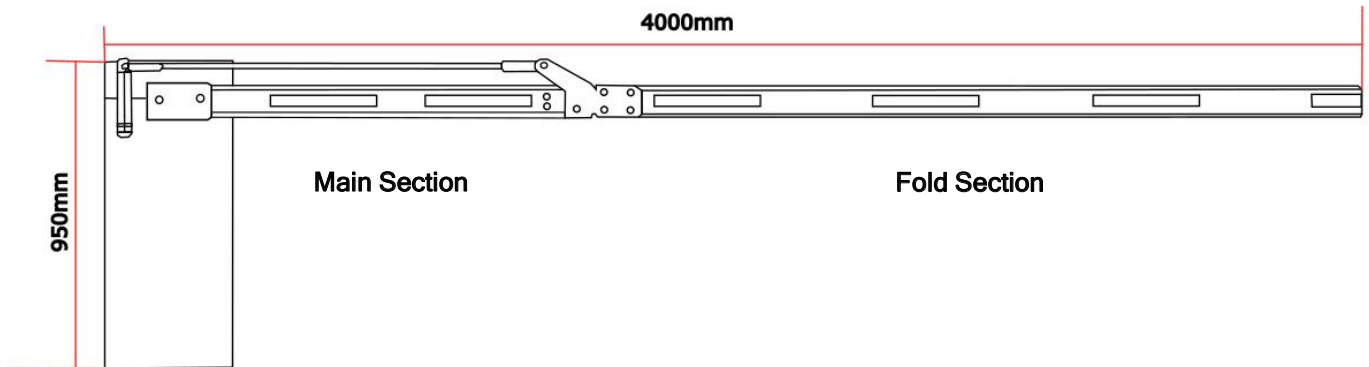
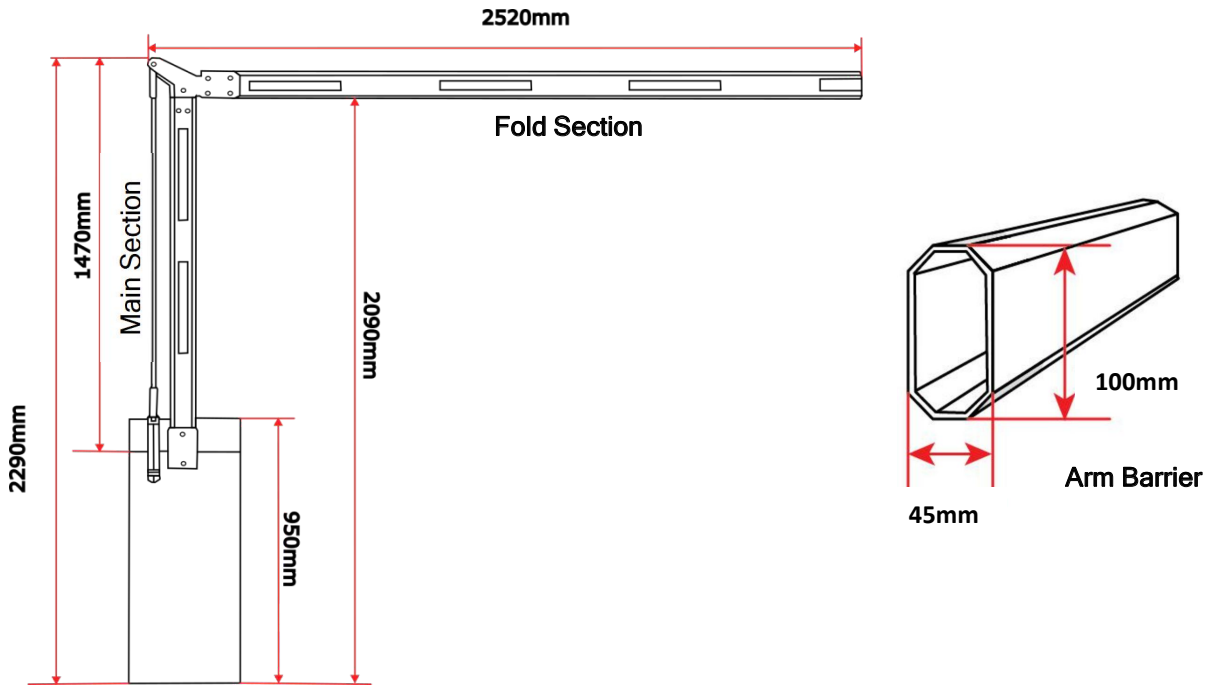
Features

- ✓ **Heavy Duty.** MAG Folding Barrier Arm is made of aluminium alloy, and an enhanced and innovative mechanical design can reduce mechanical wear and tear. These features allow the 90° folding arm to work longer for you
- ✓ **Spare Part Availability,** If the arm is damaged, your site will be exposed to security threats if you wait a long time for spare parts to arrive from overseas. MAG offers complete spare parts and repair service locally at an affordable price to ensure your gate can resume operation in the shortest time possible.

Technical Parameters

Description	Parameters
Housing Material	Aluminium Alloy
Dimension	Unfold = 4meter Length
	90° Folding = Main Section - 1470mm Fold Section - 2520mm
Total Arm Length	4m
Weight	8kg
Additional Accessories	Foam lining

Dimension



*Product performances is based on testing in a controlled environment. Your result may vary due to several external and environment factors.



© COPYRIGHT 2023. This documentation served as a reference only. It is subject to change without further notice. All the diagrams and information in this documentation may not be duplicated or modified in any form without the written approval from the management.