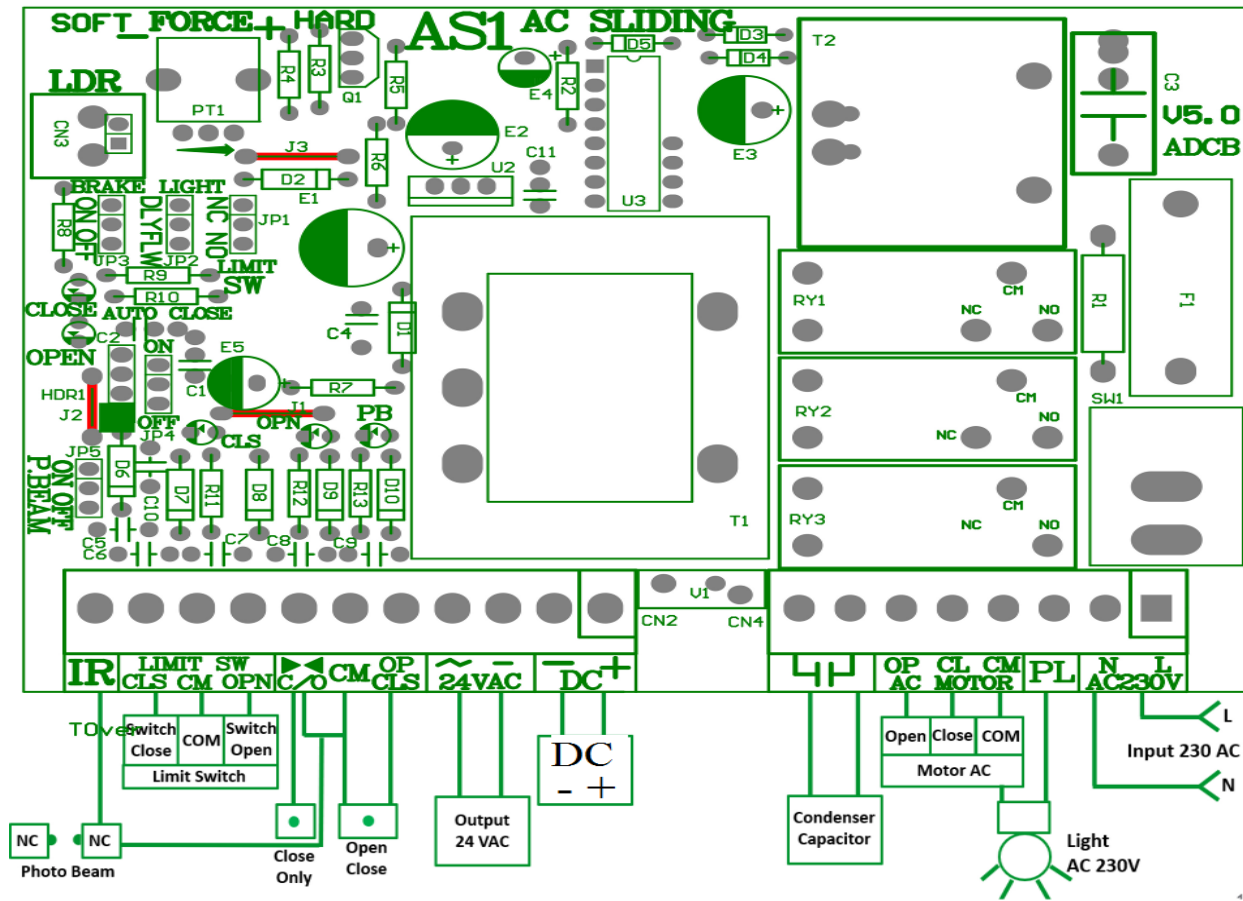


AS1 - AC Sliding Panel Diagram



Function options		Description	Application Notes
JP1	Limit Switch	Normally Close	Select if Normally Close function required
		Normally Open	Select if Normally Open function required
JP2	Light	Follow	Light status & motor movement in parallel
		Delay	Light status is set to be off after a delay of 60 seconds
JP3	Brake	On	AC Reverse Stop Signal
		Off	No brake function
JP4	Auto Close	30 Second	Gate auto close after remained open for 30 seconds
		Off	Select if function not required
JP5	Photo Beam	On	Select if Photo Beam Sensor Available
		Off	No Sensor available