

Elegant
MINIMALISTIC
Mini compact size
access reader

AR723HN

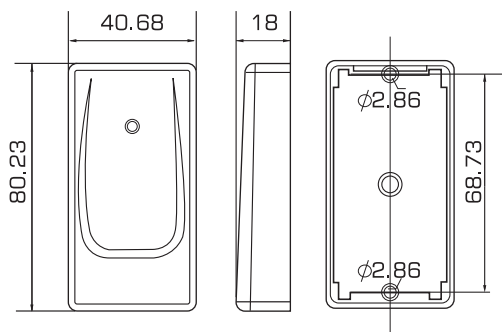
Inspired,
Stylish,
Redefined...

Minimalistic design allow it to look simple but elegant. Easily blend into any interior design.

Dark SilverBlack color concept further enhance modern contemporary impression of your office. Compact mini size allow it to easily fit into narrow door frame with limited space.


Integrated Access Security Software

Dimension AR723HN

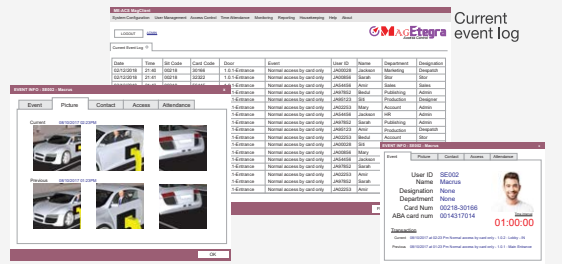


AG Etegra
Integrated Access Security Software

ME-ACS software is available in 4 versions as follows:

- LITE** Single PC, Single RS485 or TCP/IP connection, simple time attendance
- STANDARD** Single PC, maximum 3 RS485 or TCP/IP connection, advance time attendance.
- PRO BASIC** Multiple PC within LAN, Multiple RS485 or TCP/IP connection, CCTV picture capture up to 8 camera, advance time attendance
- PRO ADVANCE** Multiple PC within LAN and internet (multi branch), Multiple RS485 or TCP/IP connection, CCTV picture capture unlimited camera, advance time attendance, Emap,

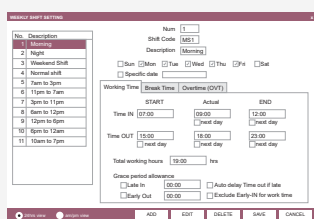
Clean and intuitive GUI help you search for access activity super fast



Double click event log to see pictures captured for that event

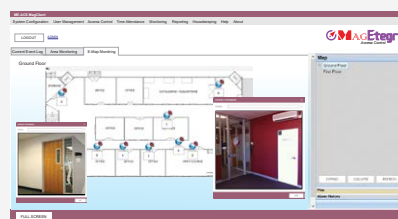
Event info

Flexible time attendance to automate clocking report and monitor staff punctuality



Advance version support multiple overnight shift and flexible shift. Attendance will calculate work time, over time, late arrive and early go back.

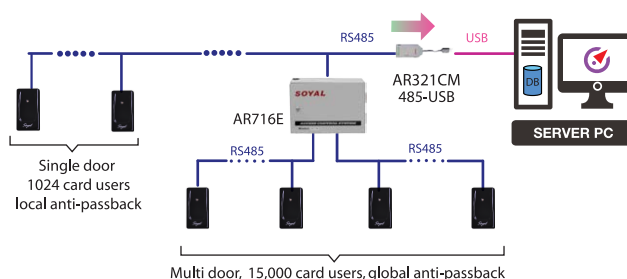
E-Map pin point threat location and helps you response to alarm faster



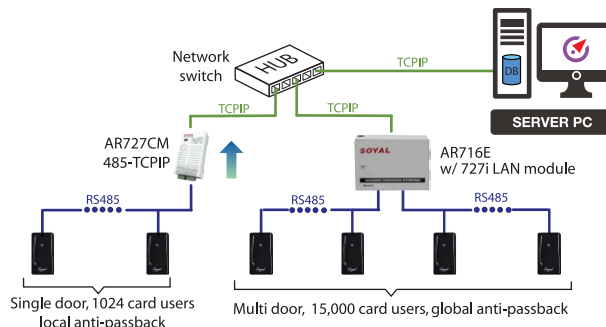
E-map will automatically pop up according to alarm event. Double click on icon will pop up live view video of the door.

Model	AR723HN	AR723HN_M
Frequency	125KHz	13.56MHz
Standard	EM Standard	Mifare ISO14443A
Reading Range (Depends on Tags)	5-12cm	2-8cm
Power Supply	19-16VDC	
Power consumption	<1W	
Communication Interface	RS-485	
Baud Rate	9600 bps(N,8,1)	
Temperature	-20°C to +60°C	
Digital Input	Egress(R.T.E.) / Door contact	
Relay Output	External Relay	
Lock Relay Time	ON/OFF, 0.1-600 Sec.	
Alarm Time	Toggle, 1-600 Sec.	
Tamper Switch	Limit Switch (Form C)	
User Capacity	1,024	
Event log	1,200	
External Reader	1 Wiegand Port	
Anti-pass-back	Yes (M4/M8 Only)	
Lift Control	32 Floors, 1,024 Users	
Serial port	Yes (M4/M8 Only)	
LCD Panel	No	
Transistor Output	Arming LED (or Security trigger signal) / Alarm / Duress	
Ingress Protection	IP56 (Optional)	
Indicator	1 Bi-Color LED & 1 Beeper	
Keypad Material	No(Option:AR-WG-KEYBOARD-M	
Housing Material	ABS	
Time Zone	11/63(Connect to Multi-Door Networking Controller)	
Operation Mode	Standalone/ Networking	
Color	Black	
Dimensions (mm)	81(L)X43(W)X18(H)	
Weight (g)	40±5	60±5

RS485 network connection



TCP/IP network connection



Standalone connection

