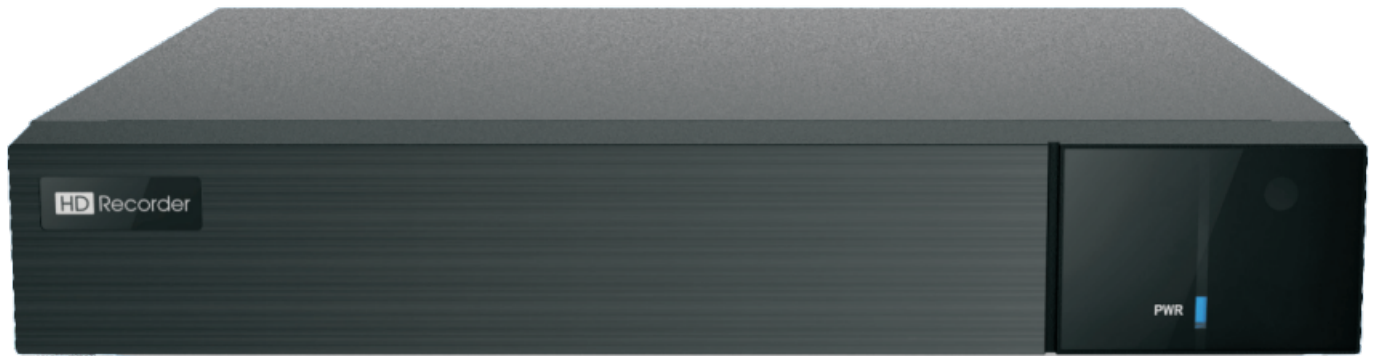


## 16 Channel Digital Video Recorder



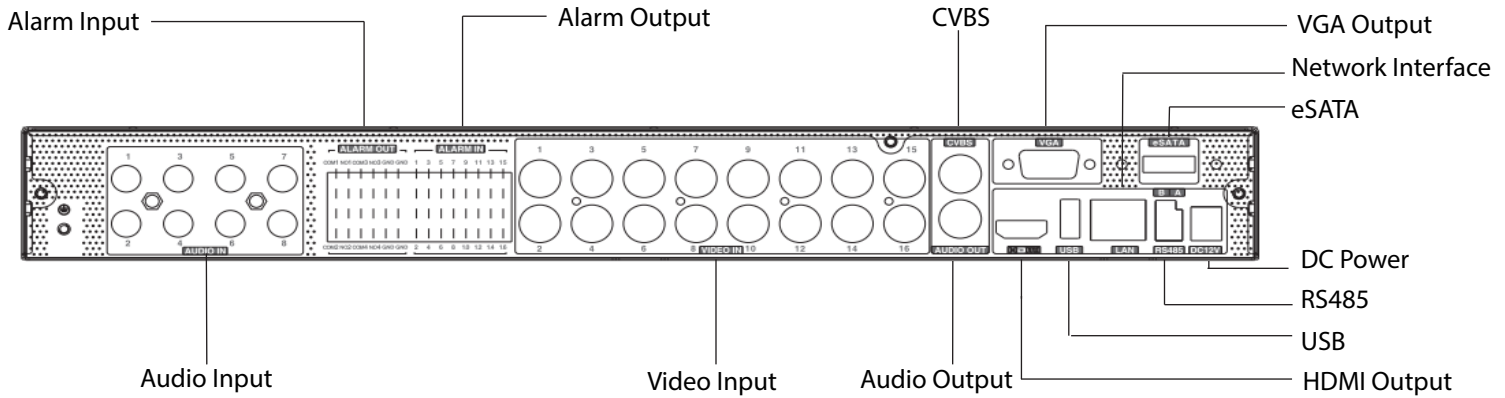
### Key Features

- AHD 5MP Lite Hybrid DVR
- Support H.265+ video formats
- Support TVI / AHD / CVI / CVBS, IP cameras with adaptive access
- Support 2 HDD (Max 6TB each)
- Support 1-ch HDMI output, 1-ch VGA output at up to (1920 x1080)

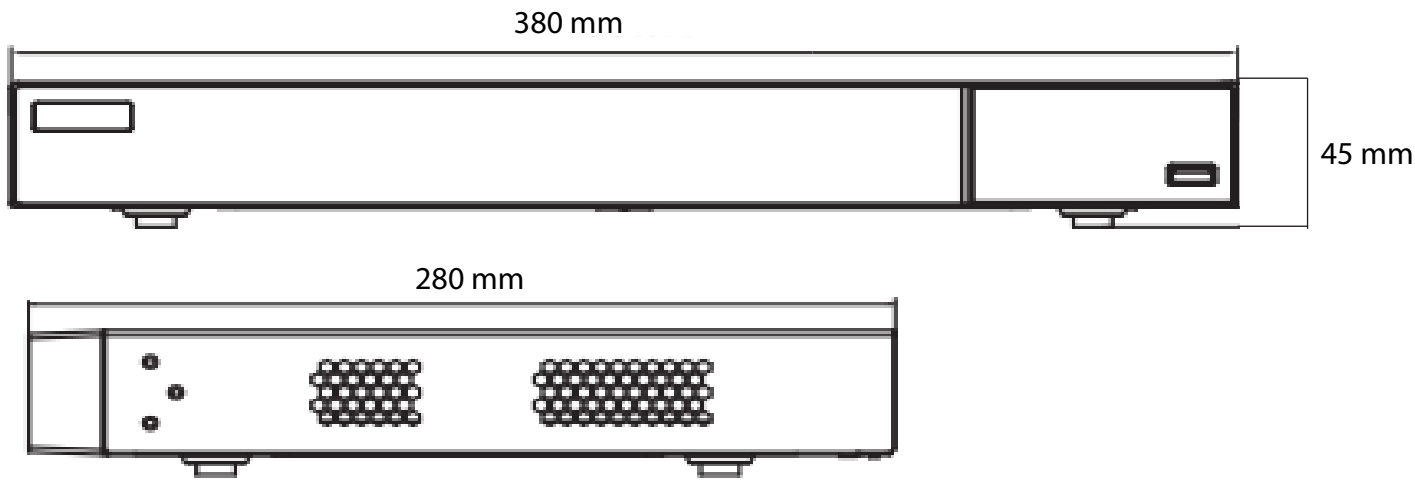
SPECIFICATION	
Channel	16 Coaxial + 8 IPC (2MP)
Recording	WD1(960x676), 1080-Lite (960x1080)@25fps/ch 1080p (1920x1080)@12fps / 5MP-Lite(1296x1944)@10fps/ch
Video Out	1x 1080p VGA, 1x Full HD 1080p HDMI, 1 CVBS
Alarm	16 Alarm in / 4 Alarm out
Audio	8ch Audio in / 1ch Audio out
Storage	2 SATA HDD (up to 6TB each), E-SATA x1
Network	10/100 self adaptive RJ45 Ethernet port
Working Environment	-10°~ +50°C, 10~90% Humidity
Power	12VDC, <30w w/o HDD (Adapter Included)
Dimension	380(W) x45 (H) x 280 (D) mm
Weight	3.0kg w/o HDD

# 16 Channel Digital Video Recorder

## Rear Panel



## Dimension



## Mobile App



Download **SuperLive Plus** support Android and iOS

## ACCESSORIES



Power cord & adapter



Mouse