

2-TDX5-3116-5ML



Features

- AHD 5MP Lite Hybrid DVR
- Support H.265+ video formats
- Support TVI / AHD / CVI / CVBS, IP cameras with adaptive access
- Support 1 HDD (Max 10TB)
- Full HD 1080p HDMI & VGA output

SPECIFICATION

Channel	16 Coaxial + 8 IPC (Total 24ch, Max 24 IPC)
Recording	WD1(960x676), 720p (1320x1080), 1080L(1920x540)@ 25fps/ch 1080p (1920x1080)@12fps/ch, 5MP-Lite(1296x1944)@10fps/ch
Video Out	1x VGA, 1x Full HD 1080p HDMI, 1 CVBS
Access Bandwidth	32Mbps Incoming / 80Mbps Outgoing
Audio	1ch Audio in / 1ch Audio out
Storage	1 SATA Harddisk (up to 10TB)
Network Interface	10/100 self adaptive RJ45 Ethernet interface
Working Environment	-10° ~ +50 °C, 10~90 % Humidity
Power	12VDC, <30W w/o HDD (Adapter Included)
Dimension	254(W) x 42 (H) x 220 (D) mm
Weight	2.2kg w/o HDD

ACCESSORIES

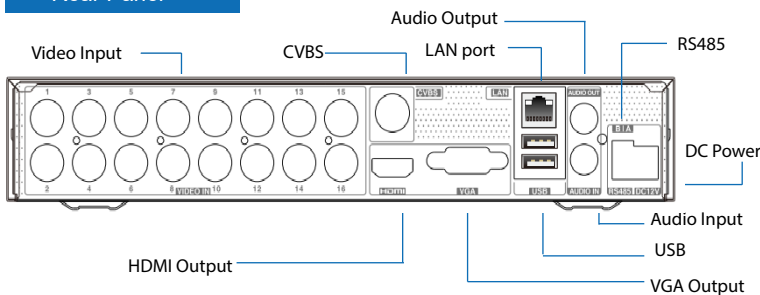


Power Adapter

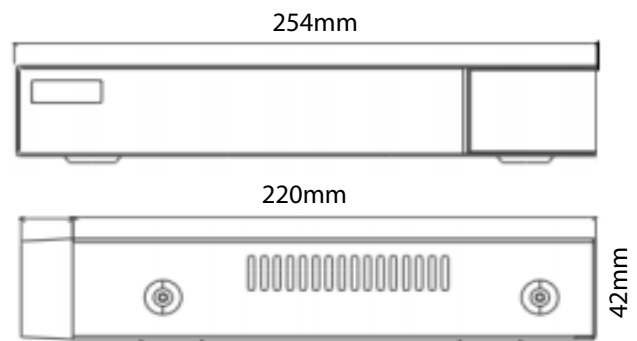


Mouse

Rear Panel



Dimensions



Mobile App



SuperLive Plus
support Android and iOS