

## 2-TD3108-5ML



### Features

- AHD 5MP Lite Hybrid DVR
- Support H.265+ video formats
- Support TVI / AHD / CVI / CVBS, IP cameras with adaptive access
- Support 1 HDD (Max 8TB)

### SPECIFICATION

Channel	8 Coaxial + 4 IPC
Recording	WD1(960x676), 720p (1320x1080), 1080L(1920x540)@ 25fps/ch 1080p (1920x1080)@12fps/ch (PAL), 5MP-Lite@10fps/ch
Video Out	1x VGA, 1x Full HD 1080p HDMI, 1 CVBS
RS485	1ch for PTZ control
Audio	1ch Audio in / 1ch Audio out
Storage	1 SATA Harddisk (up to 8TB)
Network Interface	10/100 self adaptive RJ45 Ethernet interface
Working Environment	-10° ~ +50 °C, 10~90 % Humidity
Power	12VDC, <30W w/o HDD (Adapter Included)
Dimension	254(W) x 42 (H) x 220 (D) mm
Weight	1.6kg w/o HDD

### ACCESSORIES

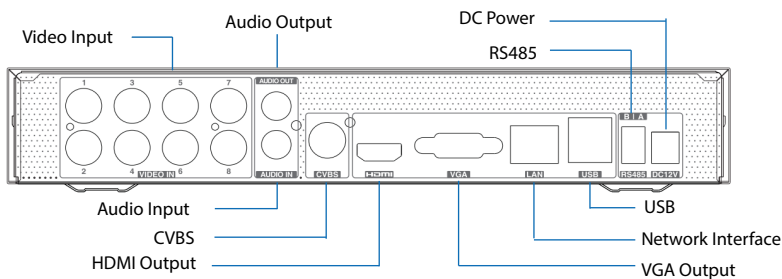


Power Adapter

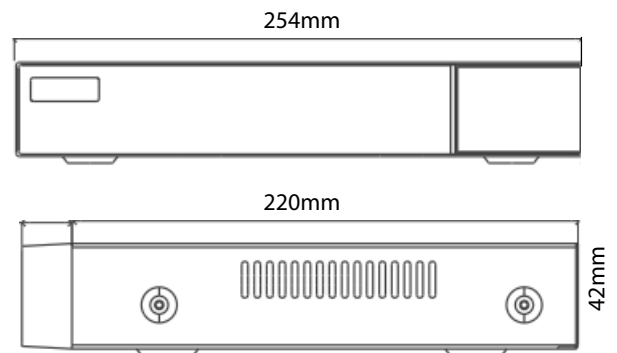


Mouse

### Rear Panel



### Dimensions



### Mobile App



**SuperLive Plus**  
support Android and iOS