

4K Starlight OmniView Network Camera

IPC8542ER5-DUG



Key Features

Optics

- Fifth-generation infrared technology, up to 50m (164ft) IR distance
- Starlight illumination
- IR anti-reflection window to increase the infrared transmittance
- Smart IR
- 2D/3D DNR (Digital Noise Reduction)
- 120dB true WDR
- Support a horizontal viewing angle of 180°

Compression

- Ultra H.265, H.265, H.264, MJPEG
- Triple streams
- Customized OSD
- 4096x1800@30fps supported

Network

- ONVIF Conformance

Structure

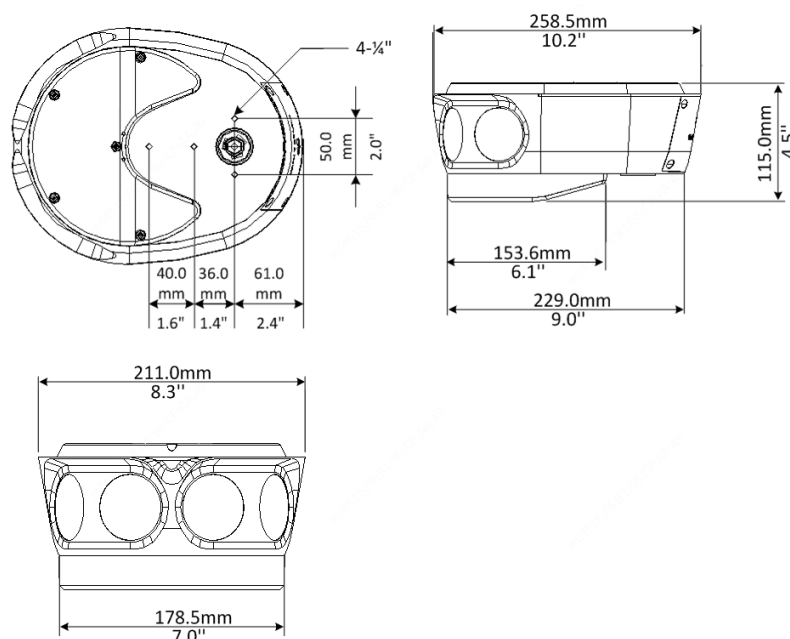
- Intelligent temperature control technology
- Wide temperature range: -40°C to 70°C (-40°F to 158°F)
- Wide voltage range of $\pm 25\%$
- More effective heat dissipation system
- IP67

Specifications

| IPC8542ER5-DUG | | | | | |
|------------------------------------|--|----------------|--------------|----------------|-------------|
| Camera | | | | | |
| Sensor | 1/1.8" progressive scan, 2.0 megapixel, CMOS | | | | |
| Lens | 4×4.2mm lens | | | | |
| DORI Distance | Lens | Detect(m) | Observe(m) | Recognize(m) | Identify(m) |
| | 4.2mm | 50.4 (165.4ft) | 20.2(66.3ft) | 10.1(33.1ft) | 5.0(16.4ft) |
| Field of View (H) | 180° | | | | |
| Field of View (V) | 80° | | | | |
| Field of View (D) | 221.4° | | | | |
| Adjustment angle | Pan: -90°~90° | | | Tilt: -45°~60° | |
| Shutter | Auto/Manual, shutter time: 1 s ~ 1/100000 s | | | | |
| Minimum Illumination | Colour: 0.002lux (F1.8,AGC ON) 0lux with IR | | | | |
| Iris | F1.8 | | | | |
| Day/Night | IR-cut filter with auto switch (ICR) | | | | |
| S/N | >55 dB | | | | |
| IR Range | UP to 50m (164ft) | | | | |
| Defog | Digital Defog | | | | |
| WDR | 120dB | | | | |
| Video | | | | | |
| Video Compression | Ultra H.265,H.265, H.264, MJPEG | | | | |
| Frame Rate | Main Stream: 4096×1800:Max. 30 fps; Sub Stream: 1920×832:Max. 30 fps; Third Stream: 1280×560: Max. 30 fps | | | | |
| HLC | Supported | | | | |
| BLC | Supported | | | | |
| OSD | Up to 8 OSDs | | | | |
| Privacy Mask | Up to 8 areas(8 blacks/8 mosaics) | | | | |
| ROI | Up to 8 areas | | | | |
| Smart | | | | | |
| Behavior Detection | Cross Line detection, Intrusion detection, Motion detection | | | | |
| Exception Detection And Statistics | Object Removed, Object Left Behind, Defocus, Scene Change | | | | |
| Recognition | Audio detection | | | | |
| Statistical Analysis | People counting | | | | |
| General Function | Watermark, IP Address Filtering, Tampering Alarm, Alarm input, Alarm output, Access Policy, ARP Protection, RTSP Authentication, User Authentication | | | | |
| Audio | | | | | |
| Audio Compression | G.711 | | | | |
| Two-way Audio | Supported | | | | |
| Suppression | Supported | | | | |
| Sampling Rate | 8KHz | | | | |
| Storage | | | | | |

| | |
|------------------------|--|
| Edge Storage | Micro SD, up to 256 GB |
| Network Storage | ANR |
| Network | |
| Protocols | IPv4, IGMP, ICMP, ARP, TCP, UDP, DHCP, PPPoE, RTP, RTSP, RTCP, DNS, DDNS, NTP, FTP, UPnP, HTTP, HTTPS, SMTP, 802.1x, SNMP, QoS |
| Compatible Integration | ONVIF (Profile S, Profile G, Profile T), API |
| Interface | |
| Audio I/O | 1 Input: impedance 35 k Ω ; amplitude 2 V [p-p] |
| | 1 Output: impedance 600 Ω ; amplitude 2 V [p-p] |
| Alarm I/O | 2/1 |
| Network | 1*100M/1000M Base-FX SFP + 2*10M/100M/1000M Base-TX Ethernet |
| Certification | |
| EMC | CE-EMC (EN 55032: 2015+A1:2020, EN 61000-3-3: 2013+A1: 2019, EN IEC 61000-3-2: 2019+A1: 2021, EN 55035: 2017+A11:2020) FCC (FCC CFR 47 part15 B, ANSI C63.4-2014) |
| Safety | CE LVD (EN 62368-1:2014+A11:2017) CB (IEC 62368-1:2014) UL (UL 62368-1, 2nd Ed., Issue Date: 2014-12-01) |
| Environment | CE-RoHS (2011/65/EU;(EU)2015/863); WEEE (2012/19/EU); Reach (Regulation (EC) No 1907/2006) |
| Protection | IP67 (IEC 60529:1989+AMD1:1999+AMD2:2013) |
| General | |
| Power | AC24V \pm 25%/DC24V support 18V-48V |
| | Power consumption: 45W MAX |
| Dimensions | 259mmx211mmx115mm ((10.2"x8.3"x4.5")) |
| Weight | 2.4kg(5.3lb) |
| Working Environment | -40°C ~ +70°C (-40°F ~ 158°F), Humidity:10%~95% RH(non-condensing) |
| Reset Button | Supported |

Dimensions



Zhejiang Uniview Technologies Co., Ltd.

South Tower, Building 10, Wanlun Science Park, 88 Jiangling Road, Hangzhou, P.R.China 310051

Email: overseasbusiness@uniview.com; globalsupport@uniview.com

<http://www.uniview.com>

©2019-2022 Zhejiang Uniview Technologies Co., Ltd. All rights reserved.

*Product specifications and availability are subject to change without notice.