

# 4MP Fixed IR Mini Bullet Network Camera

IPC2124LB-SF28(40)-A



## Key Features

High quality image with 4MP, 1/3.0"CMOS sensor

4MP (2560\*1440)@25/20fps; 3MP (2304\*1296)@25/20fps; 2MP (1920\*1080)@30/25fps; 720P (1280\*720)@30/25fps

H.265, H.264

Smart IR, up to 30m (98ft) IR distance

Day/night functionality

2D/3D DNR (Digital Noise Reduction)

IP67 protection

DC12V or PoE(IEEE 802.3af) power supply

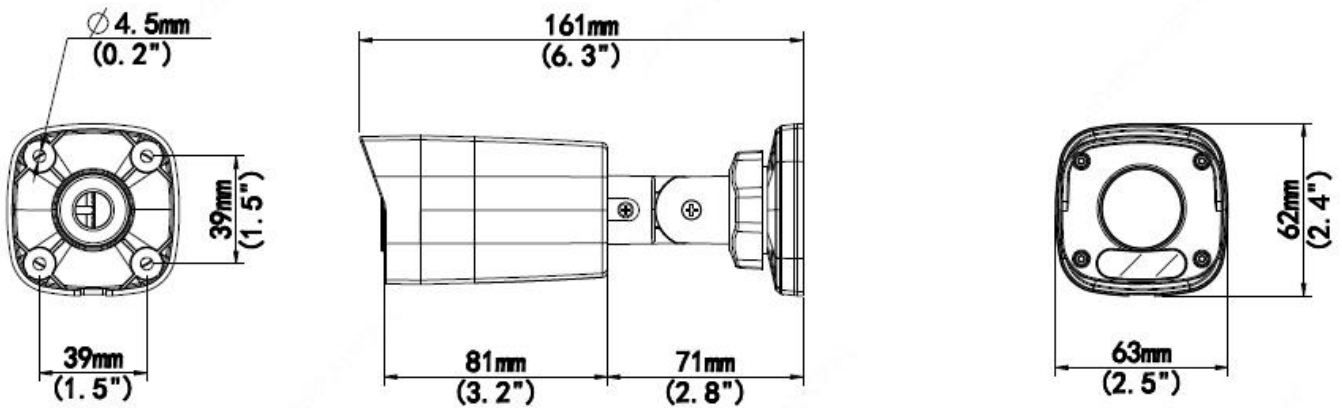
3-Axis

## Specifications

|                         | IPC2124LB-SF28-A   | IPC2124LB-SF40-A |                 |               |              |
|-------------------------|--|------------------|-----------------|---------------|--------------|
| <b>Camera</b>           |  |                  |                 |               |              |
| Sensor                  | 1/3", 4.0 megapixel, progressive scan, CMOS  |                  |                 |               |              |
| Min. Illumination       | Colour:0.01 lux (F2.1, AGC ON)<br>0 lux with IR  |                  |                 |               |              |
| Day/Night               | IR-cut filter with auto switch (ICR)   |                  |                 |               |              |
| Shutter                 | Auto/Manual, 1 ~ 1/100000s   |                  |                 |               |              |
| Adjustment angle        | Pan: 0°~360°   | Tilt: 0°~90°     | Rotate: 0°~360° |               |              |
| WDR                     | DWDR   |                  |                 |               |              |
| S/N                     | >55dB  |                  |                 |               |              |
| <b>Lens</b>             |  |                  |                 |               |              |
| Lens type               | 2.8mm@F2.1,  | 4.0mm@F2.1       |                 |               |              |
| Iris                    | Fixed  |                  |                 |               |              |
| Field of View (H)       | 97°  | 79°              |                 |               |              |
| Field of View (V)       | 52.2°  | 42.3°            |                 |               |              |
| Field of View (D)       | 107.5°   | 85.1°            |                 |               |              |
| <b>DORI</b>             |  |                  |                 |               |              |
| DORI Distance           | Lens (mm)  | Detect (m)       | Observe (m)     | Recognize (m) | Identify (m) |
|                         | 2.8  | 63.0             | 25.2            | 12.6          | 6.3          |
|                         | 4.0  | 90.0             | 36.0            | 18.0          | 9.0          |
| <b>Illuminator</b>      |  |                  |                 |               |              |
| IR Range                | Up to 30m (98 ft) IR range   |                  |                 |               |              |
| Wavelength              | 850nm  |                  |                 |               |              |
| IR On/Off Control       | Auto/Manual  |                  |                 |               |              |
| <b>Video</b>            |  |                  |                 |               |              |
| Video Compression       | H.265, H.264   |                  |                 |               |              |
| Frame Rate              | Main Stream: 4MP (2560*1440), Max 25fps; 3MP(2304*1296), Max 25fps;2MP(1920*1080),Max 30fps<br>Sub Stream: D1 (720*576), Max 30fps; 640*360,Max 30fps; 2CIF(704*288), Max 30fps; CIF(352*288), Max 30fps |                  |                 |               |              |
| Video Bit Rate          | 128 Kbps~6144Kbps  |                  |                 |               |              |
| U-code                  | Support  |                  |                 |               |              |
| OSD                     | Up to 4 OSDs   |                  |                 |               |              |
| Privacy Mask            | Up to 4 areas per scene  |                  |                 |               |              |
| ROI                     | Up to 8 areas  |                  |                 |               |              |
| Video stream            | Dual streams   |                  |                 |               |              |
| <b>Image</b>            |  |                  |                 |               |              |
| White Balance           | Auto/Outdoor/Fine Tune/Sodium Lamp/Locked/Auto2  |                  |                 |               |              |
| Digital noise reduction | 2D/3D DNR  |                  |                 |               |              |
| Smart IR                | Support  |                  |                 |               |              |
| Flip                    | Normal/Flip Vertical/Flip Horizontal/180°  |                  |                 |               |              |
| HLC                     | Support  |                  |                 |               |              |
| BLC                     | Support  |                  |                 |               |              |
| Defog                   | Digital Defog  |                  |                 |               |              |
| <b>Events</b>           |  |                  |                 |               |              |
| Basic Detection         | Motion detection   |                  |                 |               |              |

|                        |  |
|------------------------|--|
| General Function       | Watermark, IP Address Filtering, Access Policy, ARP Protection, RTSP Authentication, User Authentication   |
| <b>Network</b>         |  |
| Protocols              | IPv4, IGMP, ICMP, ARP, TCP, UDP, DHCP, RTP, RTSP, RTCP, RTMP, DNS, DDNS, NTP, FTP, UPnP, HTTP, HTTPS, SMTP, QoS, SSL/TLS   |
| Compatible Integration | ONVIF (Profile S, Profile T), API, SDK   |
| User/Host              | Up to 32 users. 3 user levels: administrator / operator / common user  |
| Security               | Password protection, strong password, HTTPS encryption, Export operation logs, basic and digest authentication for RTSP, digest authentication for HTTP, TLS 1.2, WSSE and digest authentication for ONVIF |
| Client                 | EZStation<br>EZLive<br>EZView  |
| Web Browser            | Plug-in required live view: IE9+, Chrome 41 and below, Firefox 52 and below  |
|                        | Plug-in free live view: Chrome 57.0+, Firefox 58.0+, Edge 16+  |
| <b>Interface</b>       |  |
| Audio I/O              | N/A  |
| Alarm I/O              | N/A  |
| Serial Port            | N/A  |
| Built-in Mic           | N/A  |
| Built-in Speaker       | N/A  |
| WIFI                   | N/A  |
| Network                | 1 * RJ45 10M/100M Base-TX Ethernet   |
| Video Output           | N/A  |
| <b>Certification</b>   |  |
| EMC                    | CE-EMC (EN 55032: 2015+A1:2020, EN 61000-3-3: 2013+A1: 2019, EN IEC 61000-3-2: 2019+A1: 2021, EN 55035: 2017+A11:2020)<br>FCC (FCC CFR 47 part15 B, ANSI C63.4-2014)                                       |
| Safety                 | CE LVD (EN 62368-1:2014+A11:2017)<br>CB (IEC 62368-1:2014)<br>UL (UL 62368-1, 2nd Ed., Issue Date: 2014-12-01)   |
| Environment            | CE-RoHS (2011/65/EU; (EU)2015/863); WEEE (2012/19/EU); Reach (Regulation (EC) No 1907/2006)  |
| Protection             | IP67 (IEC 60529:1989+AMD1:1999+AMD2:2013)  |
| <b>General</b>         |  |
| Power                  | DC12V(±25%), PoE(IEEE 802.3af)   |
|                        | Power consumption: Max 5.0W  |
| Dimensions (L x W x H) | 161 × 63 × 62mm (6.3" × 2.5" × 2.4")   |
| Weight                 | 0.36kg(0.79lb)   |
| Working Environment    | -30°C ~ 60°C (-22°F ~ 140°F), Humidity: ≤95% RH (non-condensing)   |
| Storage Environment    | -40°C ~ 70°C (-40°F ~ 158°F), Humidity: ≤95% RH (non-condensing)   |
| Surge protection       | 4KV  |
| Reset button           | N/A  |

## Dimensions



## Accessories

TR-UP06-B-IN  
Pole Mount



TR-JB05-A-IN  
Junction Box



TR-UP06-C-IN  
Pole Mount



TR-A01-IN  
Waterproof Joint



**Zhejiang Uniview Technologies Co., Ltd.**

Building No.10, Wanlun Science Park, Jiangling Road 88, Binjiang District, Hangzhou, Zhejiang, China (310051)

Email: [overseasbusiness@uniview.com](mailto:overseasbusiness@uniview.com); [globalsupport@uniview.com](mailto:globalsupport@uniview.com)

<http://www.uniview.com>

©2020 Zhejiang Uniview Technologies Co., Ltd. All rights reserved.

\*Product specifications and availability are subject to change without notice.