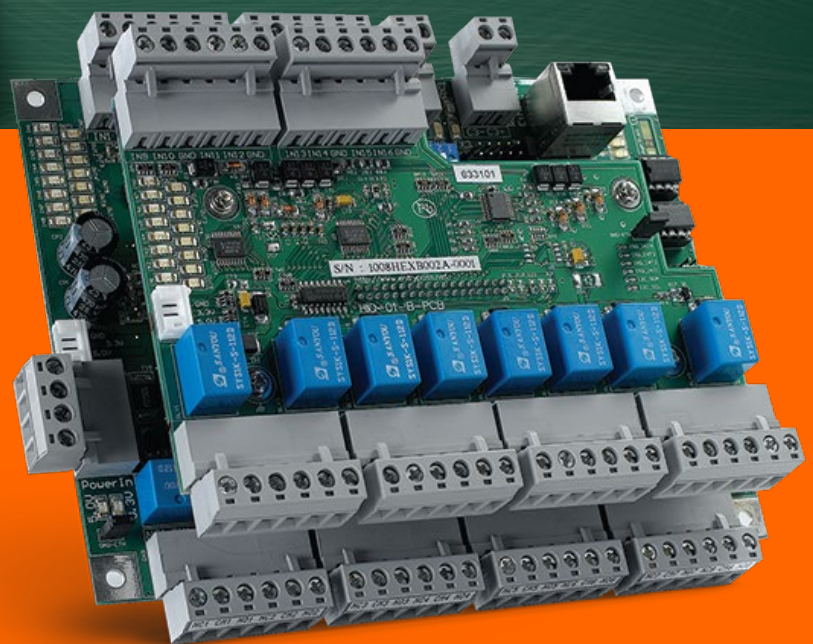
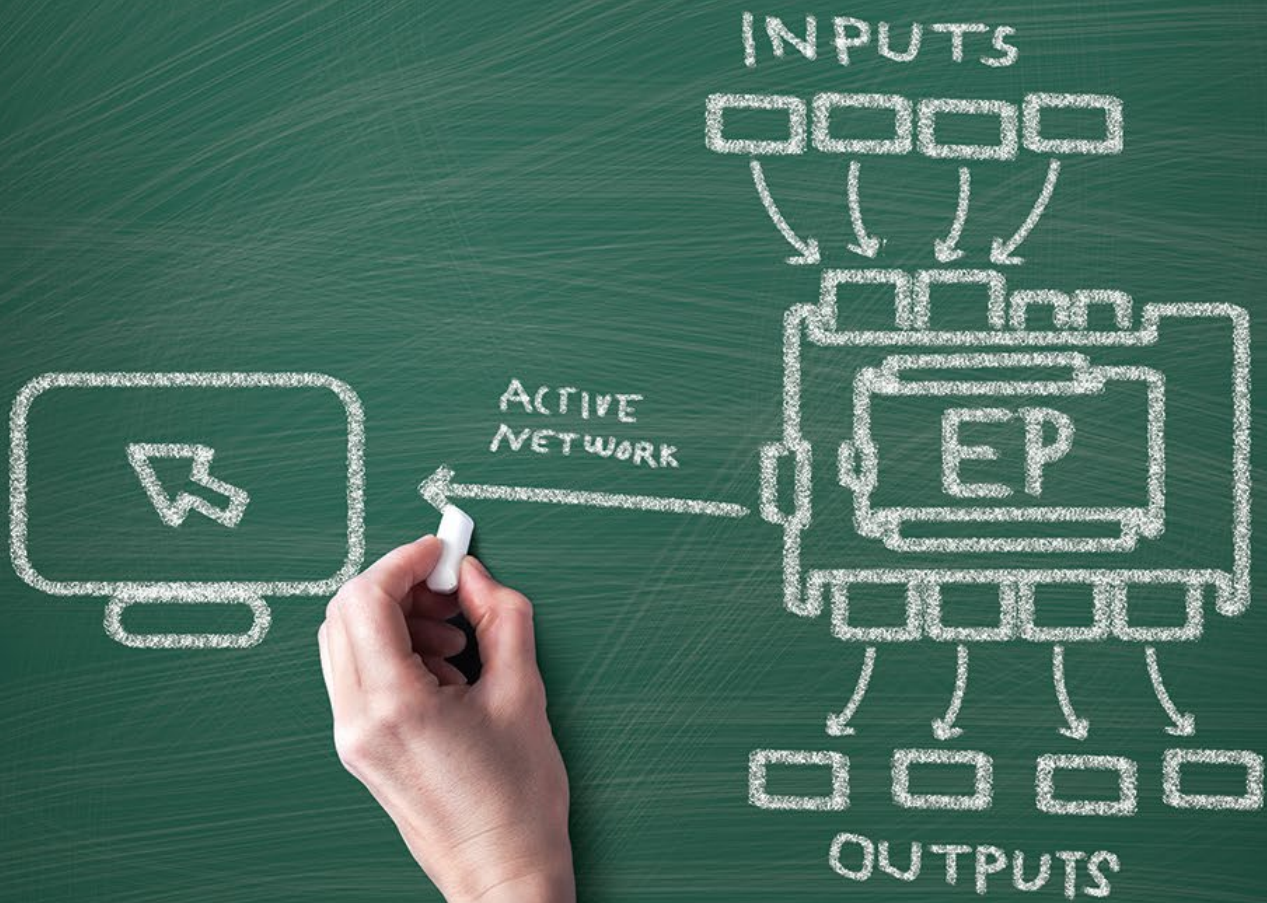


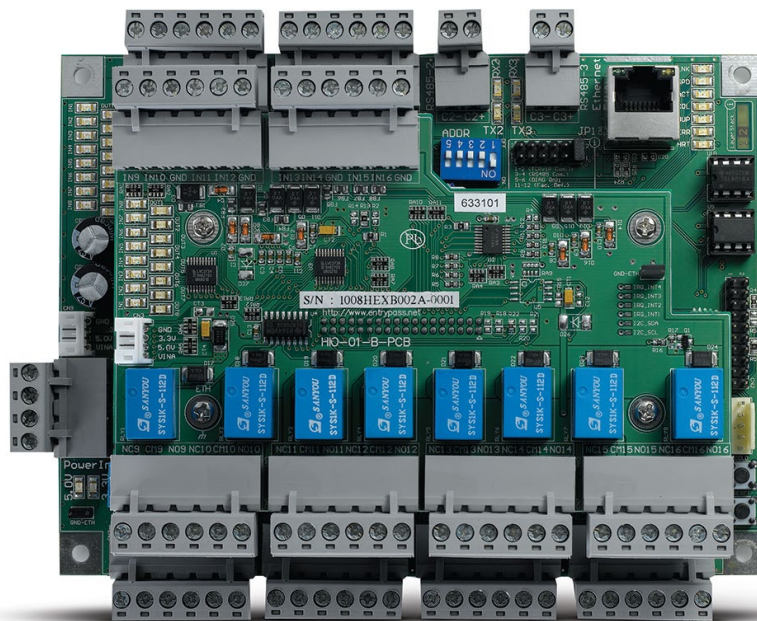
# HIO

Hybrid Input / Output Control Panel



Entrypass Hybrid Input/Output control panels enable you to design alarm monitoring floor-by-floor and elevator destination control system, letting you customize the access level of individuals card holder depending on your regulated structure with the power to control accessibility from 8 floors to 136 floors.

What's more? you can choose to utilize the EntryPass hybrid input/output control panel that comes with both serial and active network communication interface to cater for any installation requirement.



### ACTIVE TRANSMIT

Rather than keeping events data in the memory awaiting for host-PC to poll, HIO actively transmits the real-time event data to the host server as it happens, meaning events transaction gets delivered and can be act upon faster. (Only when the HIO is polled via TCP/IP protocol)



### BUILT IN WEB SERVER

HIO is built-in with web server where network configuration such as IP address, subnet mask, server IP and etc can be easily done upon web browser login. No more factory programming needed as the firmware can be upgraded via the on-board web server.



### WIZARD INSTALLATION

Our system provides Wizard Menu guidance function for first time installation. It is absolutely hassle free method as it will provide user step by step installation.

## Feature Highlight

Support up to maximum of 16 inputs & 16 outputs

Support dual mode communication (Modbus Serial & Modbus TCP/IP)

Support both open and close trigger devices

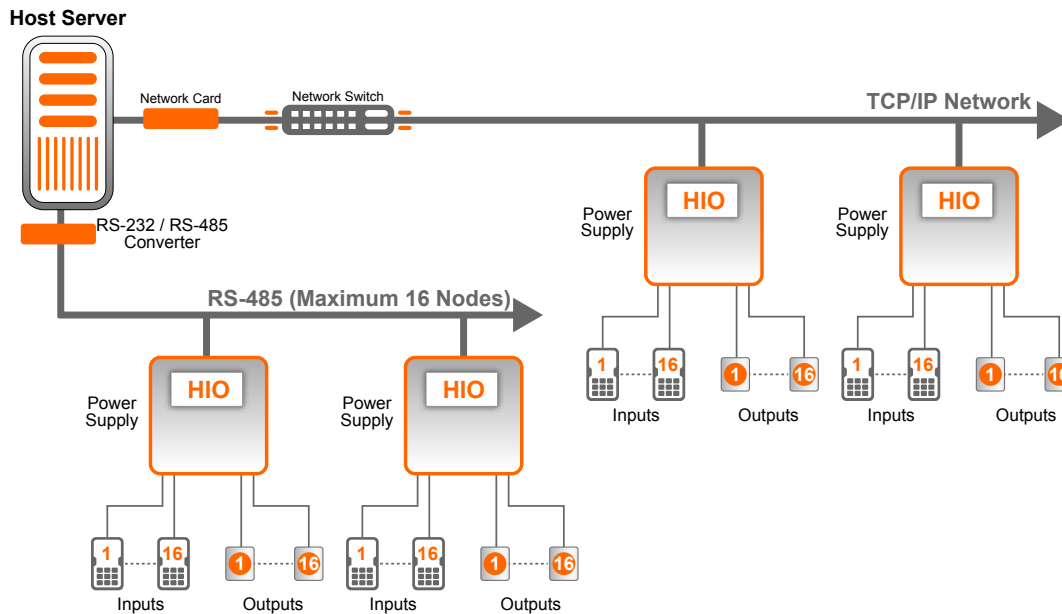
Support One-To-Many / Many-To-One / Many-To-Many configuration

Support both toggle and alarm mode monitoring function

Support various applications (Alarm / Elevator )

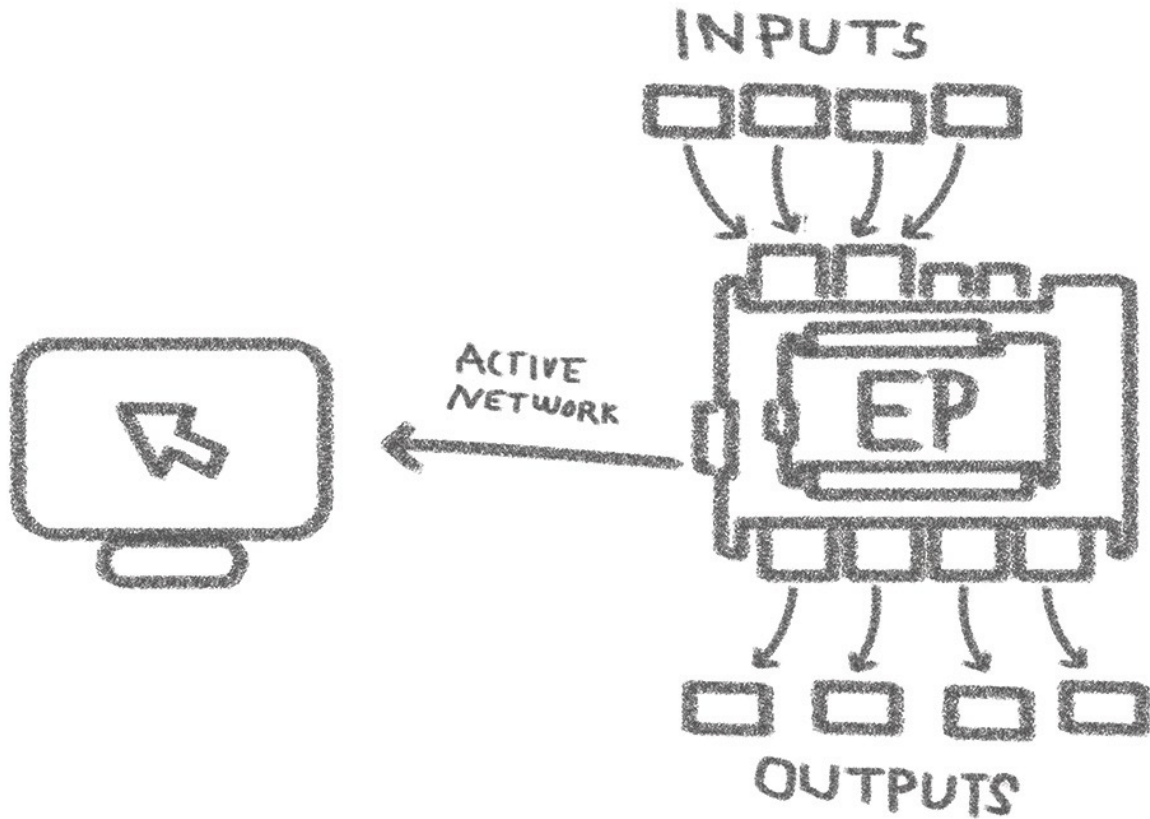


## Basic System Diagram



## Technical Specification

Hardware	Description
Dimension	161mm (W) x 120mm (H)
MCU	32bits @ 60MHz
Memory	256K Flash Memory 32K SRAM (Buffer) 32Mbits Non-Volatile SPI Flash Memory (Storage)
Operating Temperature	0 °C to 65 °C
Digital Input	8 - Expandable to 16 with EP.HIO.EXP
Digital Output	8 - Expandable to 16 with EP.HIO.EXP
Serial Communication Port	RS232/RS485 User Configurable
Network Communication Port	RJ-45 Self-Negotiate 10/100mbps
Communication Protocol	Modbus Serial Modbus TCP/IP
Power Protection	Resettable Fuse - 2.5A
Surge Protection (Comm/DI)	TVS - Up to 15KVA
Onboard LED Control	Power / Communication / LAN / Event
Trigger Mode	Open Trigger Short Trigger
Function Mode	Toggle Mode Alarm Mode
Timezone Control	Yes
Dimension	EP.HIO.PSU 289mm (w) x 309mm (L) x 85mm (H) EP.HIO.PCB 161mm (w) x 12mm (L)



### Ordering Information

- EP.HIO.PCB EntryPass Hybrid Input Output Control Panel Only
- EP.HIO.PSU EntryPass Hybrid Input Output Control Panel with power supply unit
- EP.HIO.EXP EntryPass Hybrid Input Output Control Panel Expansion Board - Additional 8 Inputs/Outputs



[www.entrypass.net](http://www.entrypass.net)

#### Malaysia

No. 40, Jalan TPP 1/10, Taman Industri Puchong, Batu 12 Jalan Puchong, 47160 Puchong Selangor Darul Ehsan, Malaysia.  
Tel : +603 8068 1929  
Fax : +603 8062 6937  
Email : [info@entrypass.net](mailto:info@entrypass.net)

#### Singapore

No. 1, UBI View, #03-03, Focus ONE Building, Singapore 408555.  
Tel : +65- 6841 7242  
Fax : +65- 6841 3937  
Email : [info@entrypass.net](mailto:info@entrypass.net)

#### Indonesia

Rukun Puri Mutiara, Block BF No.17, Jln Griya Utama, Sunter Agung, Jakarta Utara, 14350, Indonesia.  
Tel : +62 21 2937 6098  
Email : [indonesia@entrypass.net](mailto:indonesia@entrypass.net)