

P ▲ R ▲ G D O X™

DCTXP2

Wireless 2-Zone Door Contact

Installation Manual (V3.0/4.0)



Introduction

The DCTXP2 can support two inputs simultaneously (reed switch & universal input). It transmits two different serial numbers (SN), one for each input, which are always SN and SN+1 (e.g., 240 000 & 240 001). A switch or other security device can be connected to the universal transmitter input terminals to provide wireless transmission of the device's open/closed status.

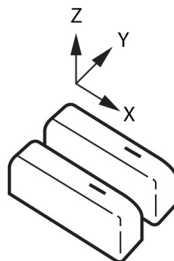
Compatibility

- MG5000, MG5050, MG6250
- EVO192 and EVOHD with a RTX3
- SP4000, SP5500, SP6000, SP65, and SP7000 with a RX1

Location and Mounting

There should be at least 30 cm (1 ft) between each transmitter and 1.5m (5 ft) between the transmitters and the receiver. Please refer to the table below for magnet distances depending on the surface of installation.

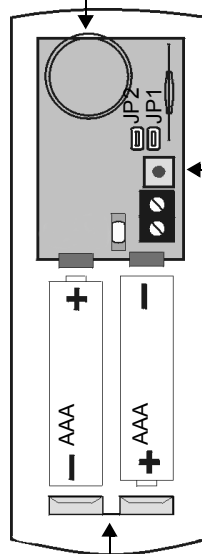
Configurations	Axis	Removal Distance	Approach Distance
Wood	X	2 cm (0.78 in)	1.4 cm (0.55 in)
	Y	2.8 cm (1.10 in)	2.7 cm (1.06 in)
	Z	3.6 cm (1.41 in)	3.2 cm (1.25 in)
Iron	X	2.3 cm (0.90 in)	1.5 cm (0.59 in)
	Y	2.4 cm (0.94 in)	1.9 cm (0.74 in)
	Z	3.2 cm (1.25 in)	2.9 cm (1.14 in)



Testing the Unit

1. Perform a signal strength test before finalizing installation. If the transmission is weak, relocate the transmitter by a few inches to improve reception.
2. Verify that the batteries are inserted properly.
3. Assign the door contact to a Magellan receiver.
4. Open and close the assigned door/window to verify proper operation.

Do not cut, bend or alter the antenna. Avoid mounting the door contact near or on metal as this may affect transmission.



Learn Mode

Learn Mode allows you to transmit the serial numbers of each input. To enter Learn Mode, open the cover and wait until the LED stops flashing.

Anti-Tamper Switch	Serial Number	Visual Confirmation
Press and release the anti-tamper switch once.	SN = Reed switch (e.g. 240 000)	The LED will flash once four times.
Press and release the anti-tamper switch twice within one second.	SN+1 = Universal transmitter input (e.g. 240 001)	The LED will flash twice rapidly four times.

Jumpers

JP1 ON	Normally Open Reed Switch/Universal Input: open = "zone open" signal closed = "zone closed" signal
JP1 OFF	Normally Closed Reed Switch/Universal Input: open = "zone open" signal closed = "zone open" signal
JP2	NOT USED

Powering the Unit

Verify proper polarity and insert two alkaline "AAA" batteries. After inserting batteries, a power up sequence will begin (10-20 seconds) during which the door contact will not detect an open zone or tamper.

Low Battery

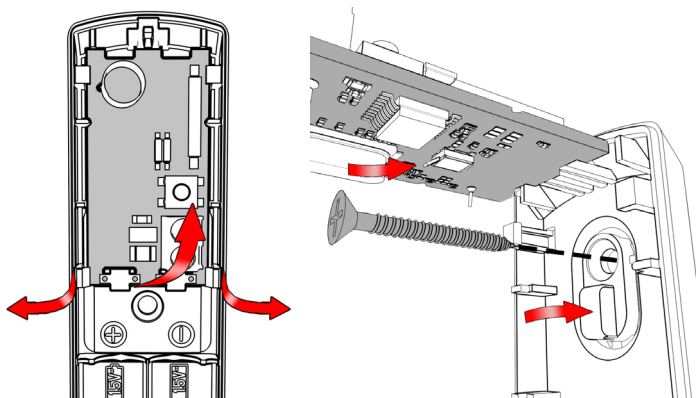
The door contact performs a battery test every 12 hours. If the voltage is below 2.3V after four consecutive battery tests (48 hrs.), the red LED will flash at 5 second intervals and the DCTXP2 will transmit a low battery signal. A low battery signal will be sent for battery voltage below 2.3V.

Replacing the Batteries


- To replace batteries:
1. Remove the old batteries.
 2. Press and release the anti-tamper switch several times.
 3. Wait 60 seconds to reinitialize the unit.

Tamper

In order to secure the tamper screw you must first remove the PCB of the DCTXP2.



Technical Specifications

Reed switch with magnet	One (high sensitivity) with a standard gap of 1cm (0.4") from magnet
Input Response Time	45 ms
RF frequency	433 MHz or 868 MHz
Current consumption	25 µA Standby / 5 mA Alarm
Power	3.0 Vdc (Two "AAA" Alkaline batteries)*
Low Battery	2.3 Vdc
Type of power supply	Type C
Battery life	Up to three years**
Range (typical in a residential environment)	MG/SP Series, RTX3: 60m (200 ft) Magellan Console: 30m (100ft)
Anti-tamper switch	Yes
Compatibility	MG5000/MG5050, Any Spectra SP Series panel, EVO192, EVOHD, MG6250, RTX3
Dimensions	11 X 3.2 X 2.5 cm (4.4 X 1.3 X 1.0 in)
Operating temperature	-10°C to 55°C (14°F to 131°F)
Certification	EN 50131-2-6, EN 50131-6 Security Grade 2 Environmental Class II Certification Body: Applica Test and Certification AS
Approvals† FCC, IC, and ETL approvals are valid for 433 MHz only	

Specifications may change without prior notice.

† For the latest information on product approvals visit our website at www.paradox.com.

* The warranty does not apply to the batteries provided with the unit.

** Battery life depends on the traffic through the protected zone.

Changes or modifications on equipment not expressly approved by Paradox could void the user's authority to operate the equipment.

FCC and Industry Canada Compliance Statement

This device complies with FCC Rules Part 15 and with Industry Canada license exempt RSS standard(s). Operation is subject to two conditions:

- This device may not cause harmful interference
- This device must accept any interference that may be received or that may cause undesired operation.

Le présent appareil est conforme aux CNR d'Industrie Canada applicables aux appareils radio exempts de licence. L'exploitation est autorisée aux deux conditions suivantes :

- L'appareil ne doit pas produire de brouillage, et
- l'utilisateur de l'appareil doit accepter tout brouillage radioélectrique subi, même si le brouillage est susceptible d'en compromettre le fonctionnement.

This Class B digital apparatus complies with Canadian ICES-003.

Cet appareil numérique de la classe B est conforme à la norme NMB-003 du Canada.

FCC ID: KDYDCTXP2

CANADA: 2438A-DCTXP2

FCC WARNING

This equipment has been tested and found to comply with the limits for a Class B digital device, pursuant to Part 15 of the FCC Rules. These limits are designed to provide reasonable protection against harmful interference in a residential installation.

This equipment generates, uses and can radiate radio frequency energy and, if not installed and used in accordance with the instructions, may cause harmful interference to radio communications.

However, there is no guarantee that interference will not occur in a particular installation. If this equipment does cause harmful interference to radio or television reception, which can be determined by turning the equipment off and on, the user is encouraged to try to correct the interference by one or more of the following measures:

- Reorient or relocate the receiving antenna.
- Increase the separation between the equipment and the receiver.
- Connect the equipment into an outlet different from that to which the receiver is connected.
- Consult the dealer or an experienced radio/TV technician for help.

Warranty

For complete warranty information on this product please refer to the Limited Warranty Statement found on www.paradox.com/terms. Your use of the Paradox product signifies your acceptance of all warranty terms and conditions.

Patents

US, Canadian and international patents may apply. Paradox is a trademark or registered trademark of Paradox Security Systems (Bahamas) Ltd.
© 2019 Paradox Security Systems Ltd.